

•ilex

PLUS
TABLE





Ø80xh105cm



Ø80xh75cm



Ø80xh50cm



80x80xh105cm



80x80xh75cm



80x80xh50cm

Plus is a collection of versatile tables that stand out by its timeless and essential design.





Plus offers a range of versatile tables, distinguished by their timeless and essential design.

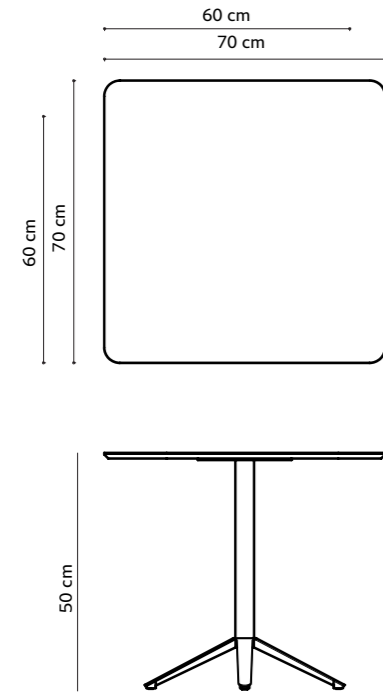


dimensions
plus

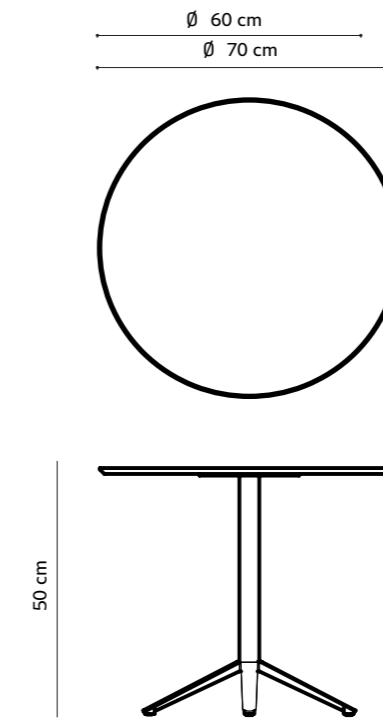


Technical info/

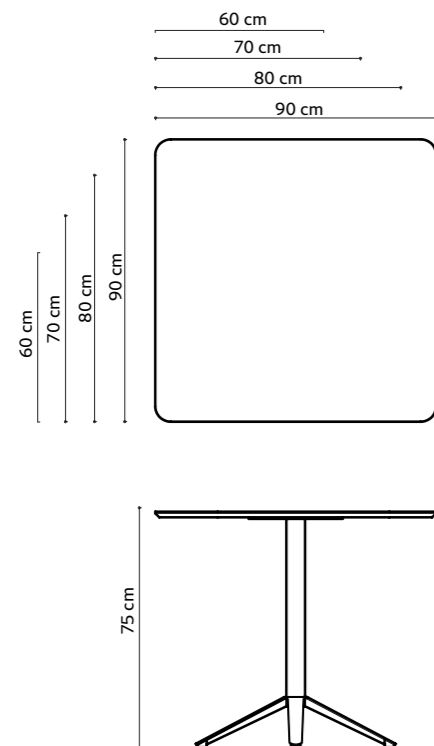
Base: Laser cut part + Ø60 x 1,5 mm Metal Tube + Solid Metal + Plastic glide is used under the leg.



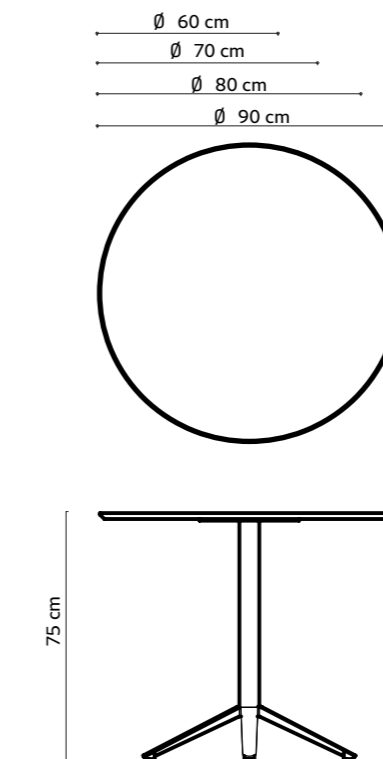
BASE FINISH			
✓	Electrostatic Powder Coated		
✓	Powder Coated + Cataphoresis		
TOP FINISH			
✓	Marble		
✓	Mdf Lam	18	
✓	Veener		
✓	Lacquer		
✓	Compact	12	
✓	Ceramic	10	
✓	Glass		
PACKAGING INFORMATION / H50 CM			
Size	60x60	70x70	
Box Cbm (m³)	0.12	0.13	
Net Weight (kg)	10.9	12.6	
Gross Weight (kg)	14.6	17.2	
Container 40 HC(Pcs)	600	580	



BASE FINISH			
✓	Electrostatic Powder Coated		
✓	Powder Coated + Cataphoresis		
TOP FINISH			
✓	Marble		
✓	Mdf Lam	18	
✓	Veener		
✓	Lacquer		
✓	Compact	12	
✓	Ceramic	10	
✓	Glass		
PACKAGING INFORMATION / H50 CM			
Size	Ø60	Ø70	
Box Cbm (m³)	0.12	0.13	
Net Weight (kg)	10.9	12.6	
Gross Weight (kg)	14.6	17.2	
Container 40 HC(Pcs)	600	580	



BASE FINISH				
✓	Electrostatic Powder Coated			
✓	Powder Coated + Cataphoresis			
TOP FINISH				
✓	Marble			
✓	Mdf Lam	18		
✓	Veener			
✓	Lacquer			
✓	Compact	12		
✓	Ceramic	10		
✓	Glass			
PACKAGING INFORMATION / H75 CM				
Size	60x60	70x70	80x80	90x90
Box Cbm (m³)	0.24	0.25	0.27	0.29
Net Weight (kg)	11.9	13.6	15.6	23.9
Gross Weight (kg)	14.6	17.2	20.2	30.6
Container 40 HC(Pcs)	324	280	260	240



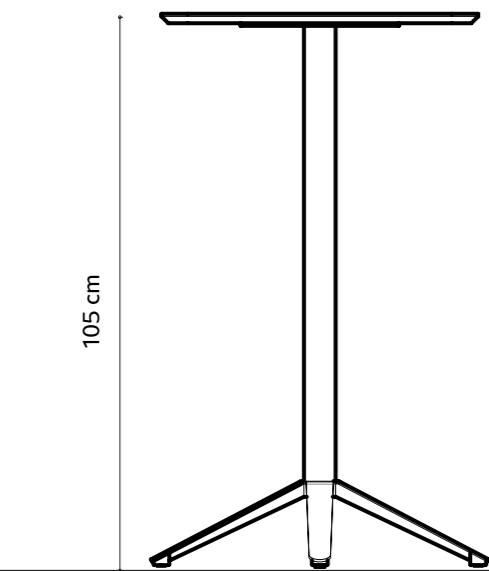
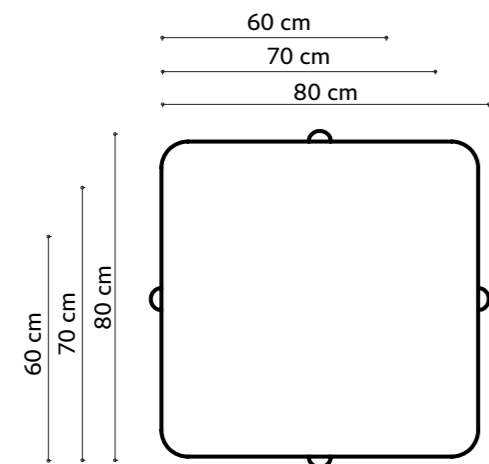
BASE FINISH				
✓	Electrostatic Powder Coated			
✓	Powder Coated + Cataphoresis			
TOP FINISH				
✓	Marble			
✓	Mdf Lam	18		
✓	Veener			
✓	Lacquer			
✓	Compact	12		
✓	Ceramic	10		
✓	Glass			
PACKAGING INFORMATION / H75 CM				
Size	Ø60	Ø70	Ø80	Ø90
Box Cbm (m³)	0.24	0.25	0.27	0.29
Net Weight (kg)	11.9	13.6	15.6	23.9
Gross Weight (kg)	14.6	17.2	20.2	30.6
Container 40 HC(Pcs)	324	280	260	240

dimensions
plus



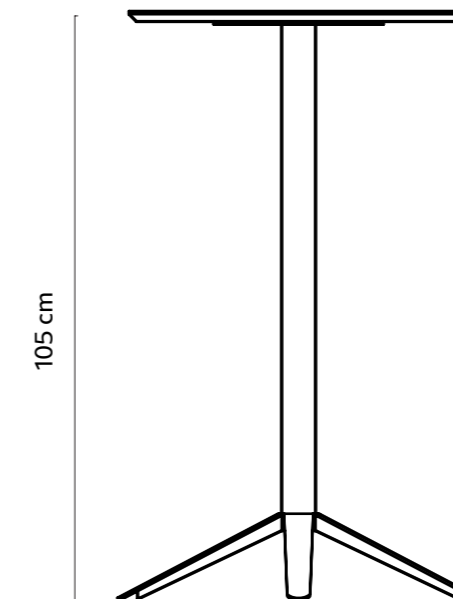
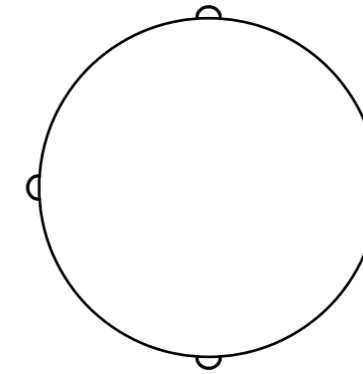
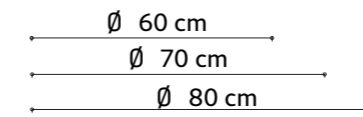
Technical info/

Base: Laser cut part + Ø60 x 1,5 mm Metal Tube + Solid Metal + Plastic glide is used under the leg.



Plus Bar Table Square

BASE FINISH			
✓	Electrostatic Powder Coated		
✓	Powder Coated + Cataphoresis		
TOP FINISH			
✓	Marble		
✓	Mdf Lam		18
✓	Veener		
✓	Lacquer		
✓	Compact		12
✓	Ceramic		10
✓	Glass		
PACKAGING INFORMATION / H105 CM			
Size	60x60	70x70	80x80
Box Cbm (m³)	0.29	0.3	0.32
Net Weight (kg)	13.9	15.6	17.6
Gross Weight (kg)	17.6	20.2	23.2
Container 40 HC(Pcs)	260	240	220



Plus Bar Table Round

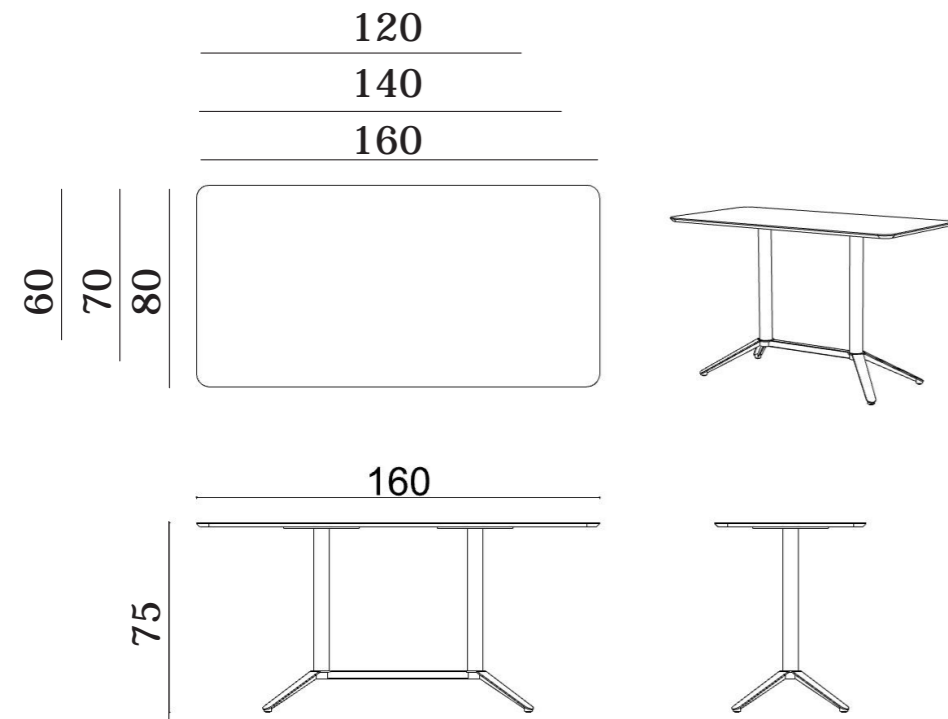
BASE FINISH			
✓	Electrostatic Powder Coated		
✓	Powder Coated + Cataphoresis		
TOP FINISH			
✓	Marble		
✓	Mdf Lam		18
✓	Veener		
✓	Lacquer		
✓	Compact		12
✓	Ceramic		10
✓	Glass		
PACKAGING INFORMATION / H105 CM			
Size	Ø60	Ø70	Ø80
Box Cbm (m³)	0.29	0.3	0.32
Net Weight (kg)	13.9	15.6	17.6
Gross Weight (kg)	17.6	20.2	23.2
Container 40 HC(Pcs)	260	240	220

dimensions
plus



Technical info/

Base: Laser cut part + Ø60 x 1,5 mm Metal
Tube + Solid Metal + Plastic glide is used
under the leg.



BASE FINISH				
✓	Electrostatic Powder Coated			
✓	Powder Coated + Cataphoresis			
TOP FINISH				
✓	Marble	18		
✓	Mdf Lam			
✓	Veener			
✓	Lacquer	12		
✓	Compact			
✓	Ceramic	10		
✓	Glass			
PACKAGING INFORMATION / H75 CM				
Size	60x120	70x140	80x160	
Box Cbm (m ³)	0.33	0.36	0.38	
Net Weight (kg)	23.7	27.2	32.3	
Gross Weight (kg)	29.9	35	41.4	
Container 40 HC(Pcs)	210	190	170	



• ilex

www.ilex.com.tr

Factory

Eseşehir Mah. Muradiye Sok.
No: 38 Ümraniye, İstanbul
E-mail: info@metaliks.com.tr
Phone: +90 216 641 16 06

İstanbul Showroom

Yukarı Dudullu Mah. Çam Sok.
No: 8/12 Ümraniye, İstanbul
E-mail: info@metaliks.com.tr
Phone: +90 537 959 04 04

Export

E-mail: export@metaliks.com.tr
Phone: +90 506 449 47 49