

AWA

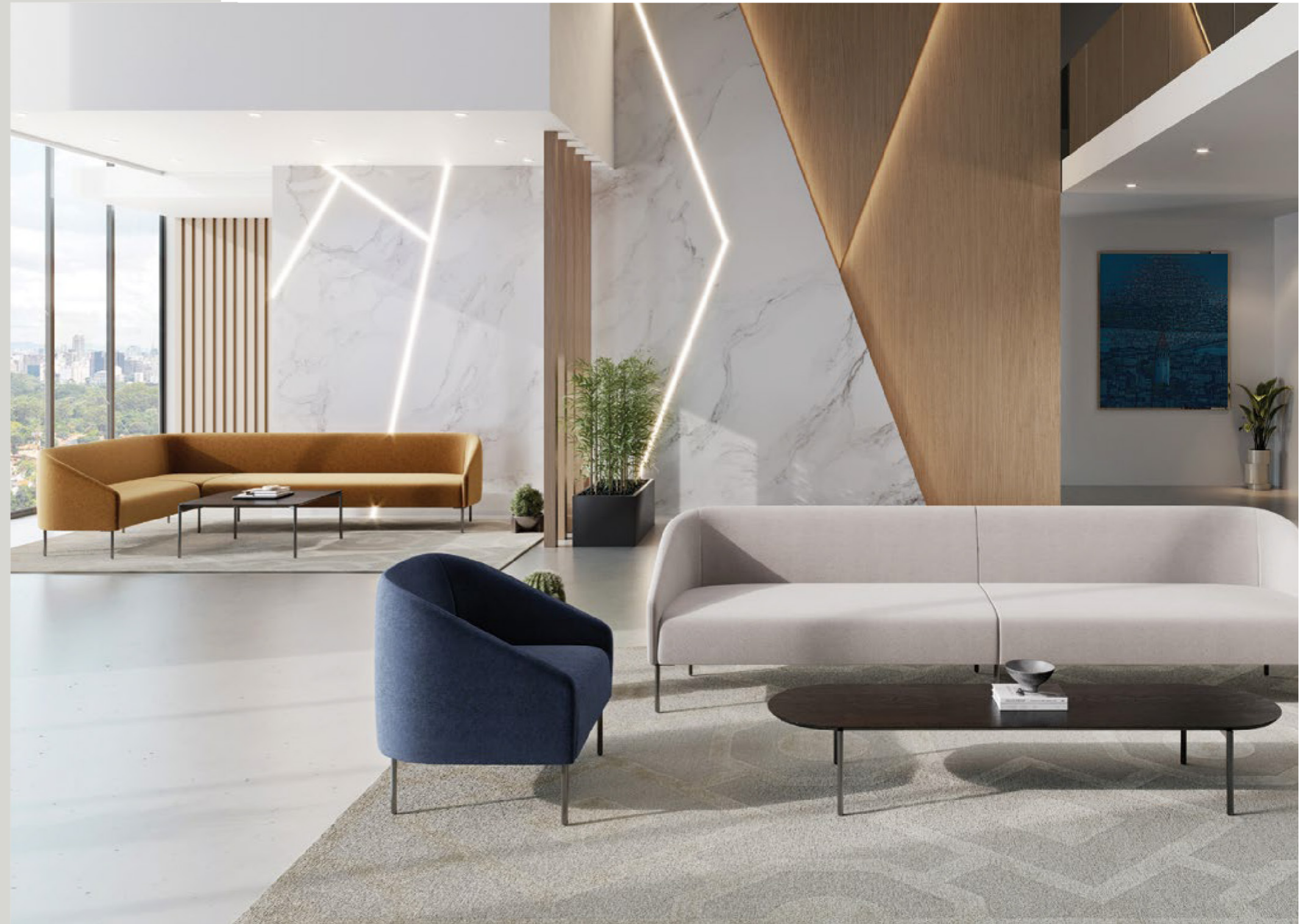
LOW TABLES



awa

Are you ready to infuse a modern touch into the focal point of your home? Our collection of elegant center low tables, designed with sleek lines, adds a minimalist and understated aesthetic to your living spaces.

Offered in three distinct variations, this collection presents options that reflect unique styles. These low tables can be used individually or combined harmoniously, seamlessly merging functionality with sophistication.



awa

oval

These low tables are designed to be used both separately and when brought together, they offer a harmonious appearance. The Center Table Collection, which combines functionality and aesthetics, adds a modern touch to your living space.



awa

round



Merge functionality & elegance:
Center low table collection in
three sizes; Use together or apart
with various color options!



awa

square

Designed with modern and elegant lines, the square center table adds a touch of geometric sophistication to your living spaces.

With its clean and minimalist design, this low table enhances the aesthetics of your room while offering a perfect blend of functionality and style. Experience the joy of geometric elegance with the square center low table.



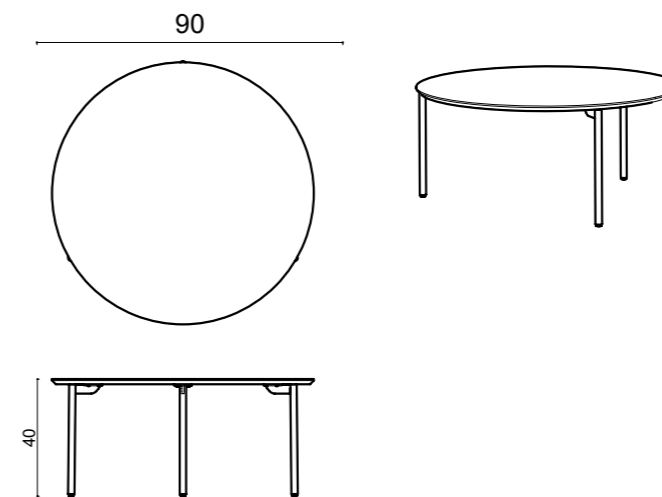
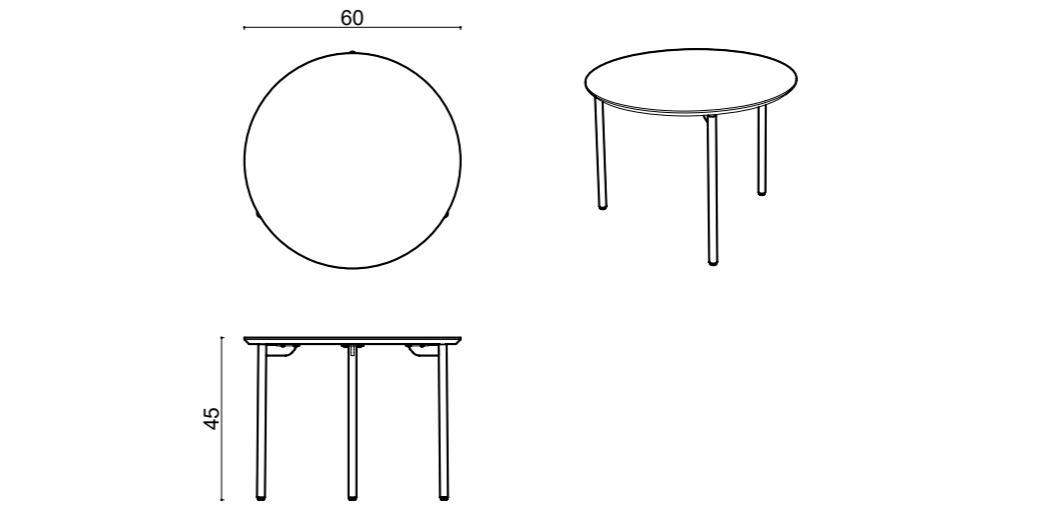
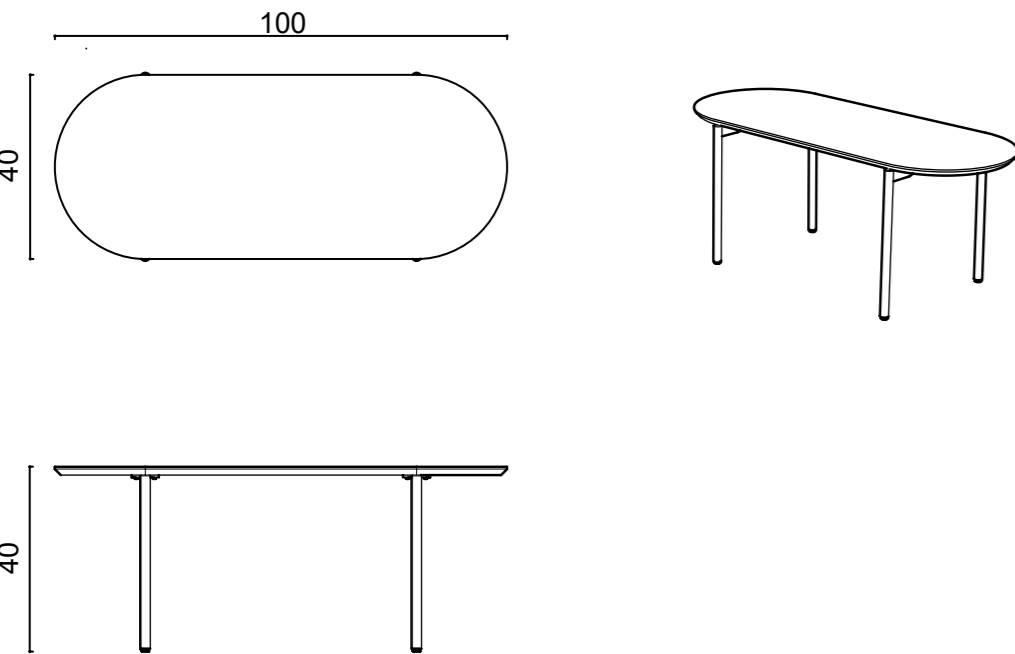
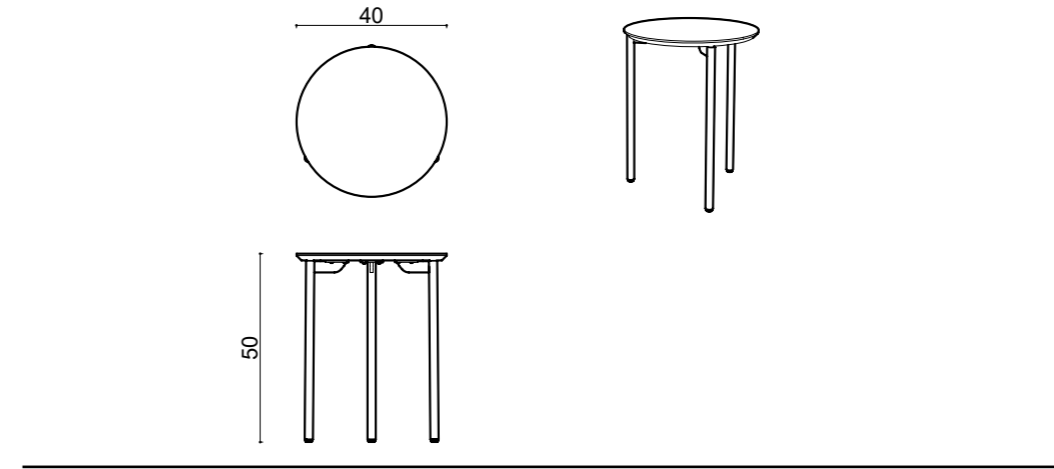
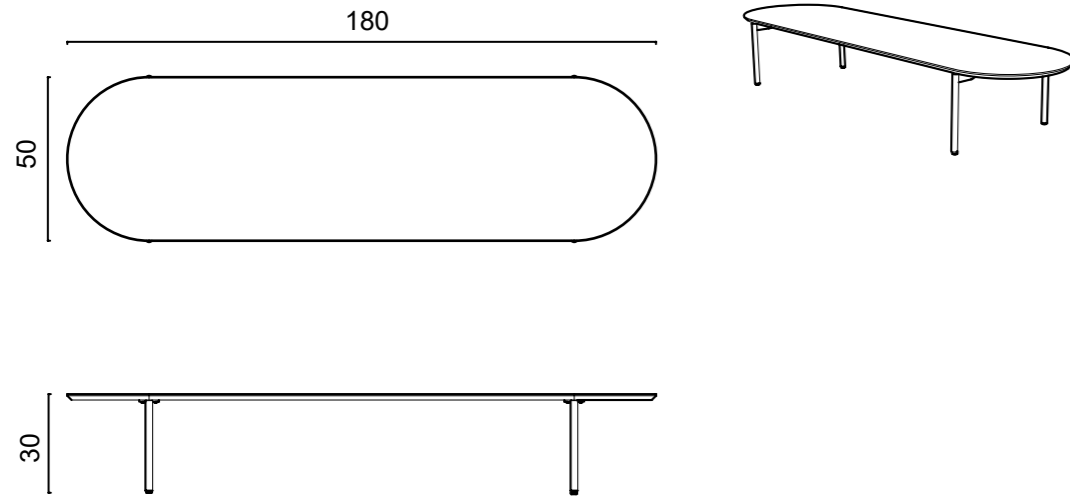
dimensions



Technical info/

awa

Base: Laser cut part + Ø22 mm Metal Tube Leg + Plastic glide is used under the leg.



BASE FINISH		
✓	Electrostatic Powder Coated	
✓	Powder Coated + Cataphoresis	
TOP FINISH		
✓	Marble	
✓	Mdf Lam	
✓	Lacquer	
✓	Veneer	
✓	Compact	18
✓	Ceramic	10
✓	Metal	4
PACKAGING INFORMATION / OVAL		
Size	100x40xH:40	180x50xH:30
Box Cbm (m³)	0,08	0,16
Net Weight (kg)	7	14
Gross Weight (kg)	10,5	20
Container 40 HC(Pcs)	971	443

BASE FINISH			
✓	Electrostatic Powder Coated		
✓	Powder Coated + Cataphoresis		
TOP FINISH			
✓	Marble		
✓	Mdf Lam		
✓	Lacquer		
✓	Veneer		
✓	Compact	18	
✓	Ceramic	10	
✓	Metal	4	
PACKAGING INFORMATION / ROUND			
Size	Ø40xH:50	Ø60xH:45	Ø90xH:40
Box Cbm (m³)	0,05	0,07	0,14
Net Weight (kg)	3,6	7,5	13,3
Gross Weight (kg)	6,6	11	18
Container 40 HC(Pcs)	1260	1096	488

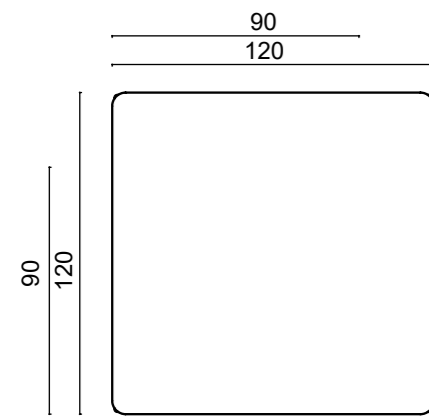
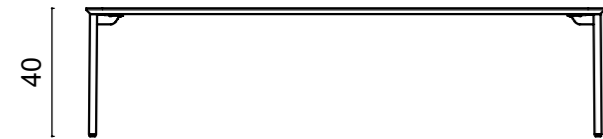
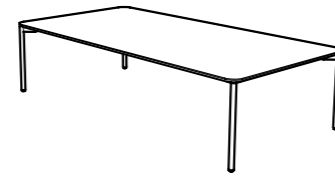
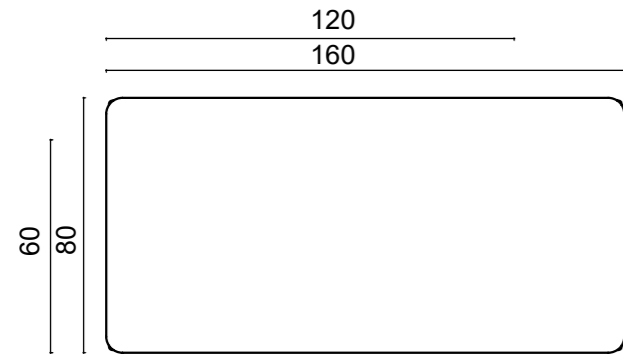
dimensions



Technical info/

awa

Base: Laser cut part + Ø22 mm Metal Tube Leg + Plastic glide is used under the leg.



BASE FINISH				
✓	Electrostatic Powder Coated			
✓	Powder Coated + Cataphoresis			
TOP FINISH				
✓	Marble			
✓	Mdf Lam		18	
✓	Lacquer			
✓	Veneer			
✓	Compact		12	
✓	Ceramic		10	
✓	Metal		4	
PACKAGING INFORMATION / H40 CM				
Size	60x120	80x160	90x90	120x120
Box Cbm (m³)	0,13	0,22	0,14	0,24
Net Weight (kg)	11,7	19,3	12,9	21,4
Gross Weight (kg)	16,9	27,9	18,6	31
Container 40 HC(Pcs)	574	844	488	295

ilex

www.ilex.com.tr

Factory

Esenehir Mah. Muradiye Sok.
No: 38 Ümraniye, İstanbul
E-mail: info@metaliks.com.tr
Phone: +90 216 641 16 06

İstanbul Showroom

Yukarı Dudullu Mah. Çam Sok.
No: 8/12 Ümraniye, İstanbul
E-mail: info@metaliks.com.tr
Phone: +90 537 959 04 04

Export

E-mail: export@metaliks.com.tr
Phone: +90 506 449 47 49