

ilex

MOON

FLAT



MOON FLAT

With its curved, embracing back, the Moon Sofa pulls the user intuitively into the deep, comfortable seat modules, fully upholstered to the ground.

Further elevated by thin armrests and backrests, the design fosters a sense of sophisticated sharpness and craftsmanship, conveyed through exaggerated piping details along the edge.



MOON FLAT



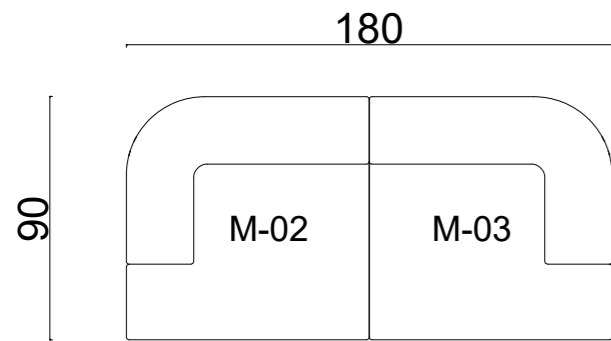
b e f l e x i b l e

Thanks to its many different module dimensions you may create many different width options. You may go as big as you like. With its dignified look and strength, it reflects sense of confidence.

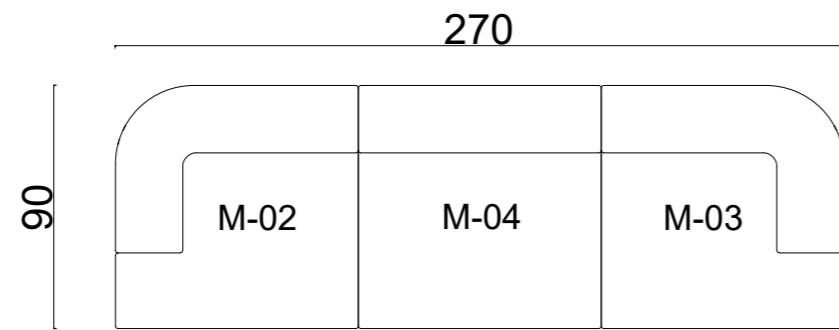


all plans
moon flat

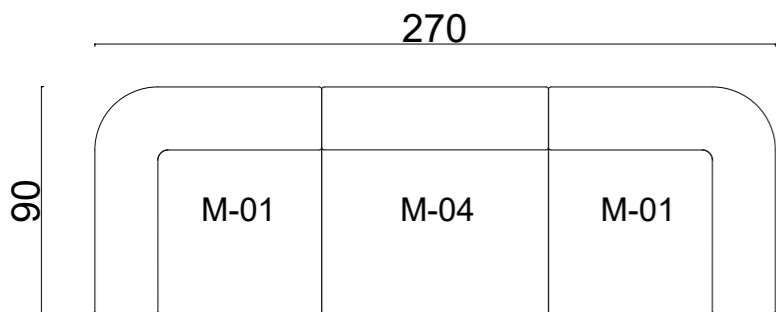
01



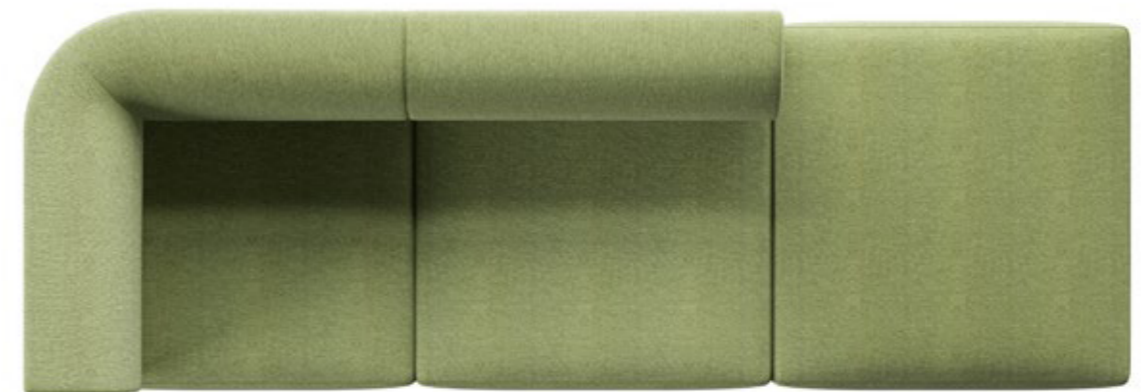
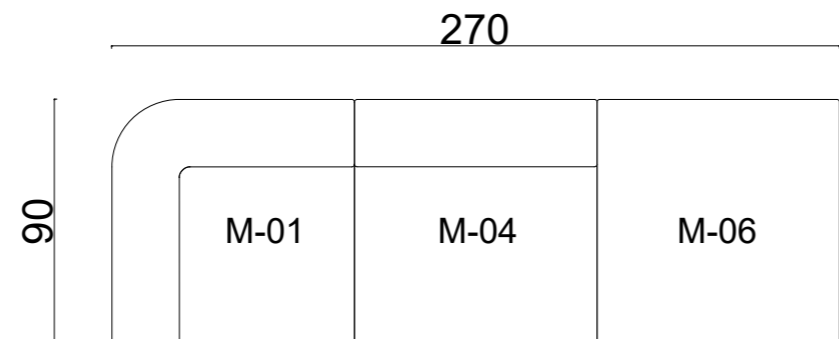
02



03

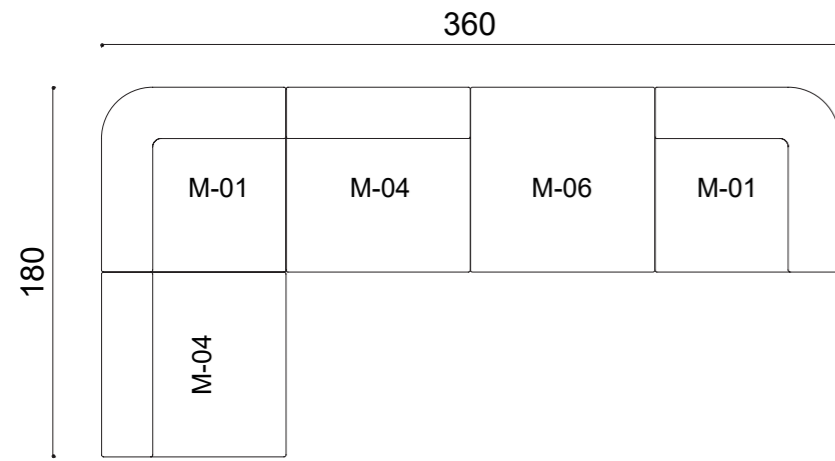


04

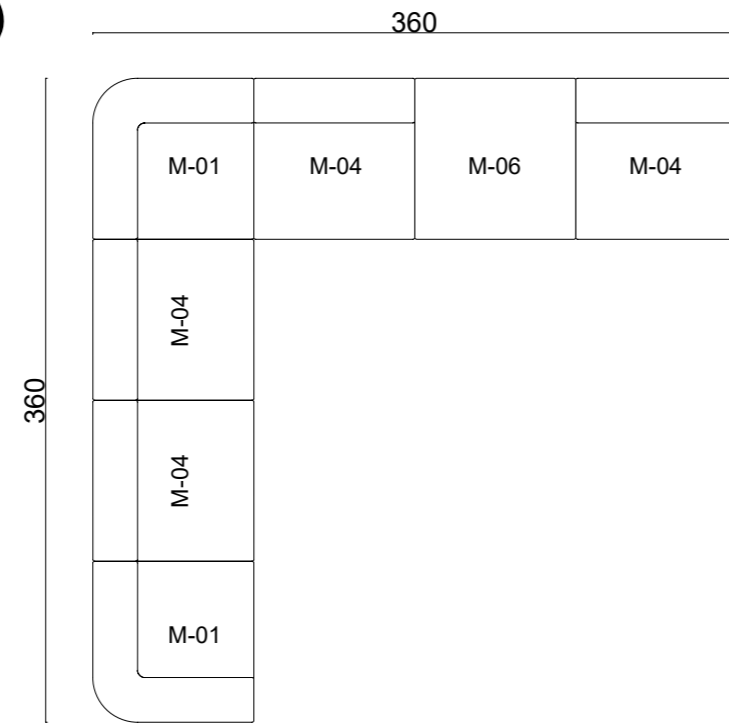


all plans
moon flat

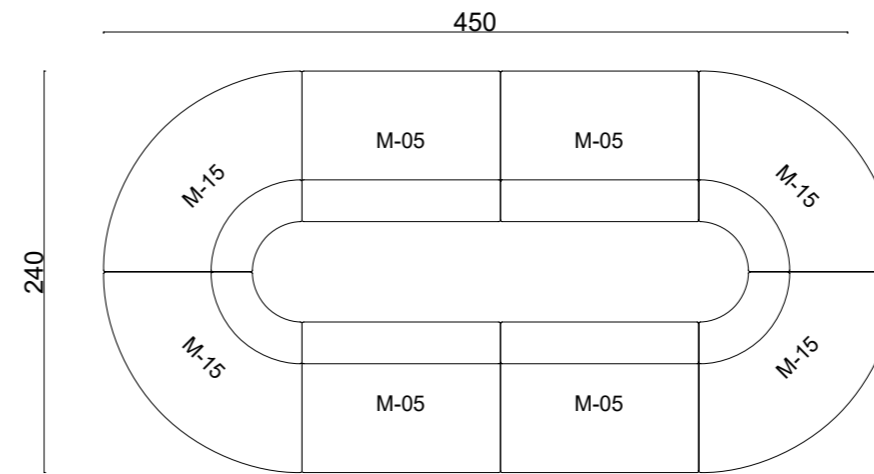
05



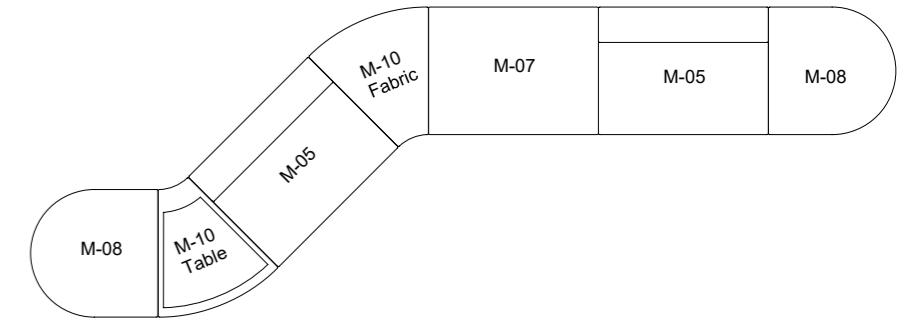
06



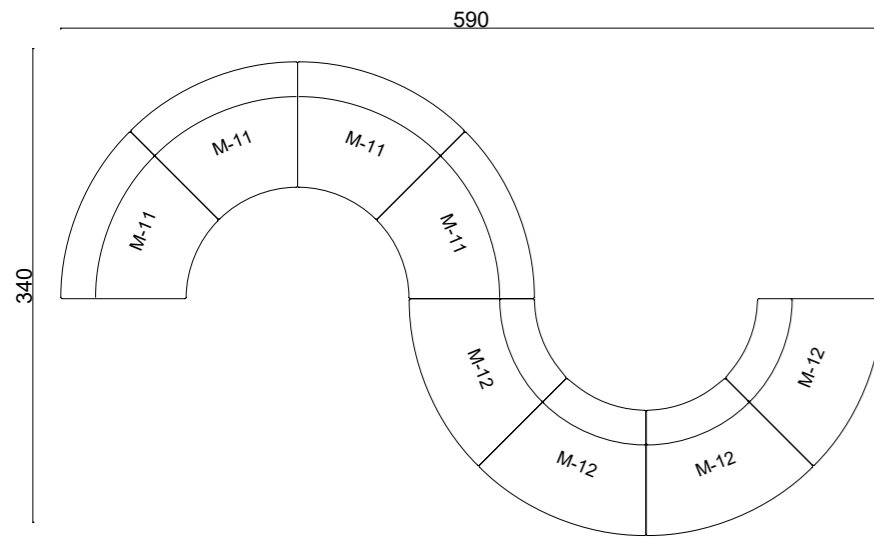
09



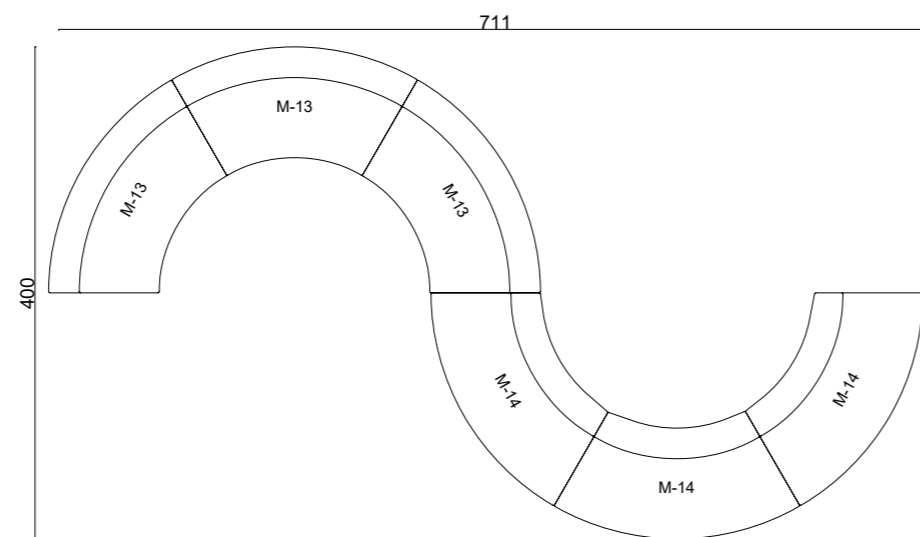
10



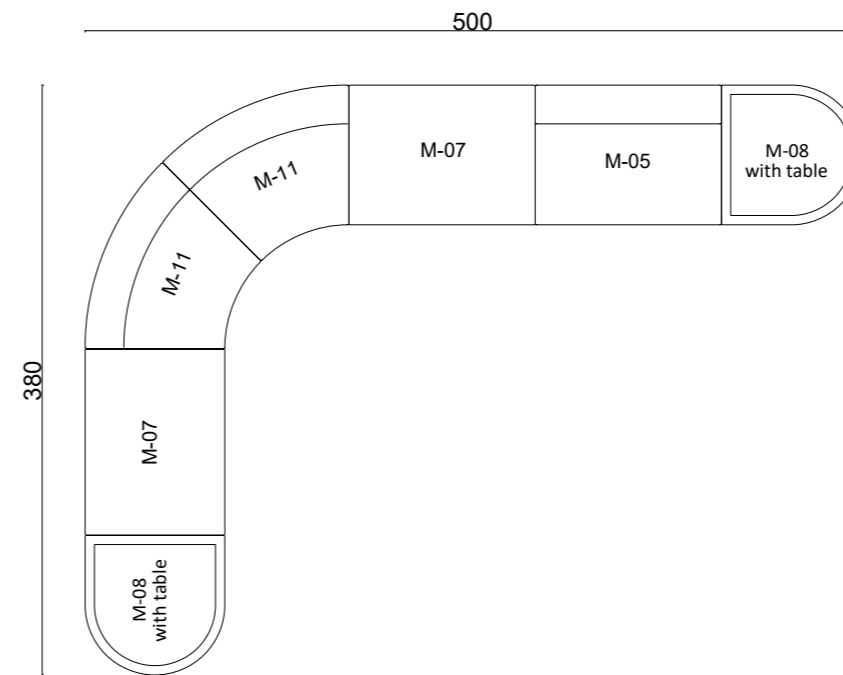
07



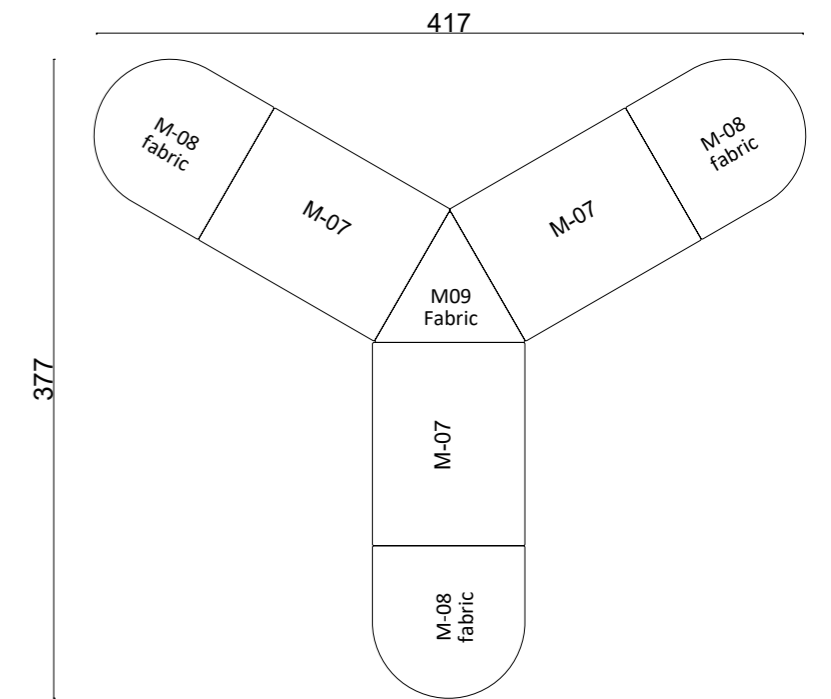
08



11



12



S h a p e y o u r c o m f o r t .





M o v e , b e n d , r e l a x

Suitable for use in break rooms, waiting rooms in hospitals, educational institutions in living areas, exhibition center common usage open areas, business centers, and lobbies.

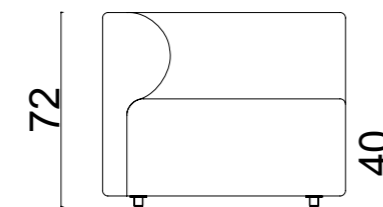
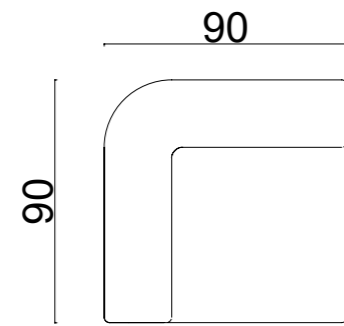


dimensions

moon flat

Technical info/

Base: Laser cut part
Back: Solid Beechwood + CNC Cutting HR foam
Seat: Solid Beechwood + Elastic Webbing + HR Foam
Upholstery: Fabric + Leather Fixed Cover



Moon Flat
Corner 90 cm

Textile
5.0 mt

Real Leather
7.5 m²

Net Weight
34,00 KG

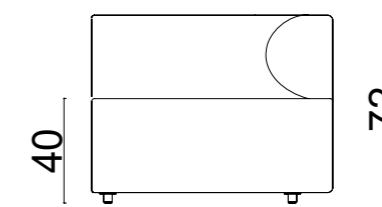
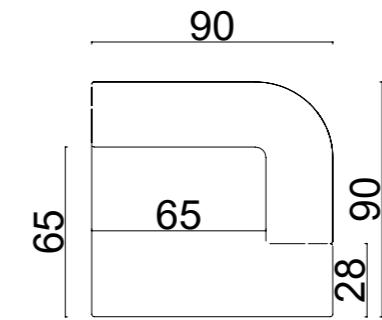
Gross Weight
39,00 KG

Stacking

100x100x82 cm
m³ 0.82

40HC (Pcs):
72Pcs.

Assembled
Package



Moon Flat
Right Side 90 cm

Textile
4.5 mt

Real Leather
6.8 m²

Net Weight
32,00 KG

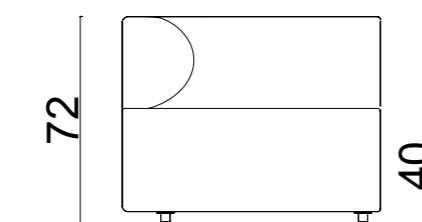
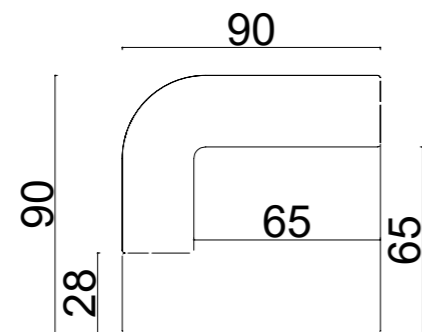
Gross Weight
37,00 KG

Stacking

100x100x82 cm
m³ 0.82

40HC (Pcs):
72Pcs.

Assembled
Package



Moon Flat
Left Side 90 cm

Textile
4.5 mt

Real Leather
6.8 m²

Net Weight
32,00 KG

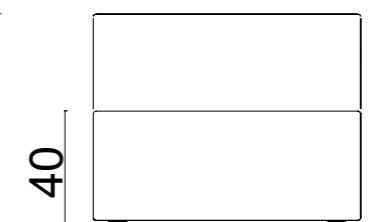
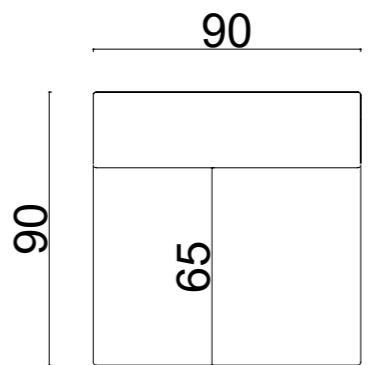
Gross Weight
37,00 KG

Stacking

100x100x82 cm
m³ 0.82

40HC (Pcs):
72Pcs.

Assembled
Package



Moon Flat
Center 90 cm

Textile
3.7 mt

Real Leather
5.6 m²

Net Weight
30,00 KG

Gross Weight
35,00 KG

Stacking

100x100x82 cm
m³ 0.82

40HC (Pcs):
72Pcs.

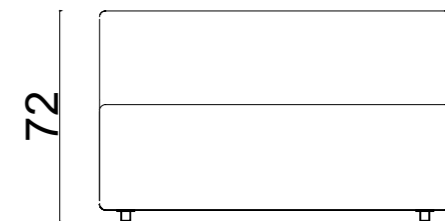
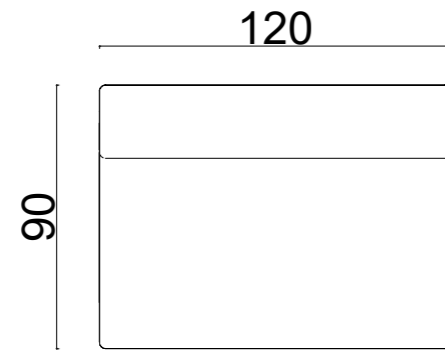
Assembled
Package

dimensions

moon flat

Technical info/

Base: Laser cut part
Back: Solid Beechwood + CNC Cutting HR foam
Seat: Solid Beechwood + Elastic Webbing + HR Foam
Upholstery: Fabric + Leather Fixed Cover



Moon Flat
Center 120 cm

Textile
4.0 mt

Real Leather
6.0 m²

Net Weight
40,00 KG

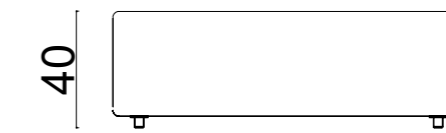
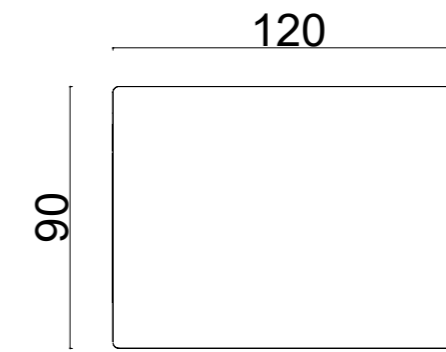
Gross Weight
45,00 KG

Stacking

130x100x82 cm
m³ 1.07

40HC (Pcs):
54Pcs.

Assembled
Package



Moon Flat
Pouf 120 cm

Textile
2.2 mt

Real Leather
3.3 m²

Net Weight
33,00 KG

Gross Weight
40,00 KG

Stacking

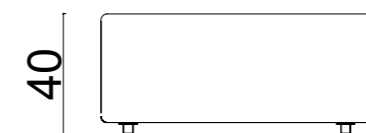
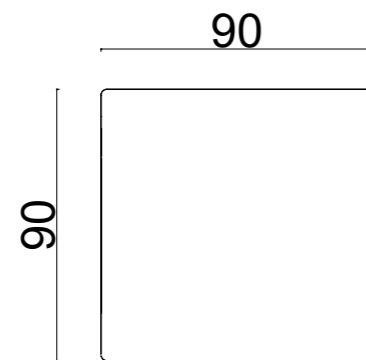
130x100x50 cm
m³ 0.65

40HC (Pcs):
90Pcs.

Assembled
Package

Fabric

with table



Moon Flat
Pouf 90 cm

Textile
2.0 mt

Real Leather
3.0 m²

Net Weight
25,00 KG

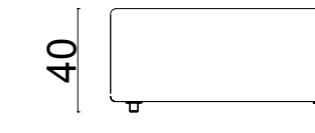
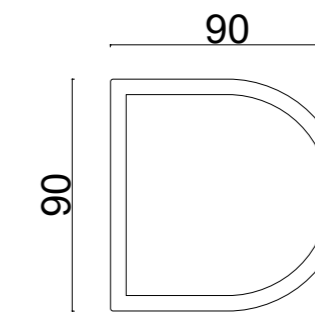
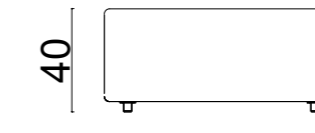
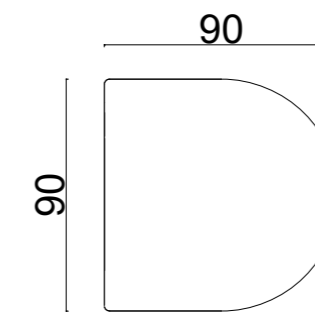
Gross Weight
30,00 KG

Stacking

100x100x50 cm
m³ 0.50

40HC (Pcs):
120Pcs.

Assembled
Package



Moon Flat
Semicircle
Pouf 90 cm

Textile
2.0 mt

Real Leather
3.0 m²

Net Weight
33,00 KG

Gross Weight
38,00 KG

Stacking

100x100x50 cm
m³ 0.50

40HC (Pcs):
120Pcs.

Assembled
Package

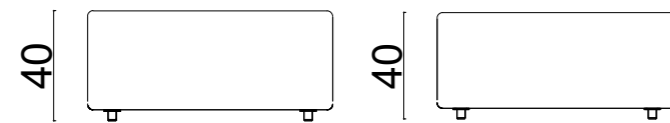
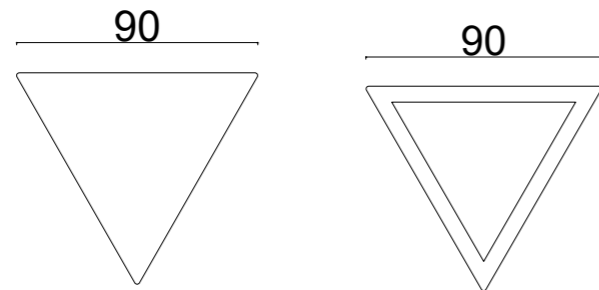
dimensions

Technical info/

moon flat

Base: Laser cut part
Back: Solid Beechwood + CNC Cutting HR foam
Seat: Solid Beechwood + Elastic Webbing + HR Foam
Upholstery: Fabric + Leather Fixed Cover

Fabric with table



Moon Flat
Semicircle
Pouf 90 cm



Textile
2.0 mt



Real Leather
3.0 m²



23,00
KG
Net Weight



28,00
KG
Gross Weight



Stacking



100x87x50 cm
m³ 0.44

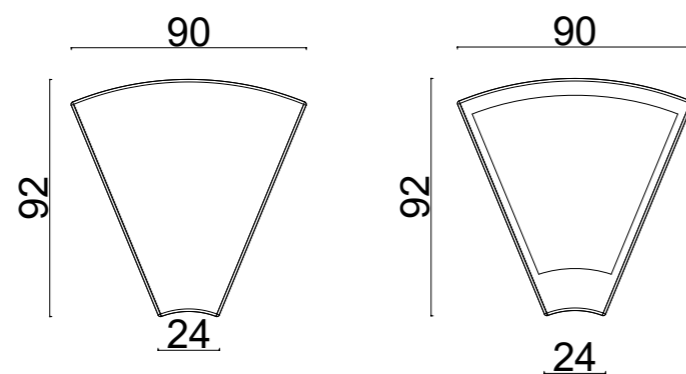


40HC (Pcs):
130Pcs.



Assembled
Package

Fabric with table



Moon Flat
Triangle Pouf
90 cm



Textile
2.0 mt



Real Leather
3.0 m²



25,00
KG
Net Weight



30,00
KG
Gross Weight



Stacking



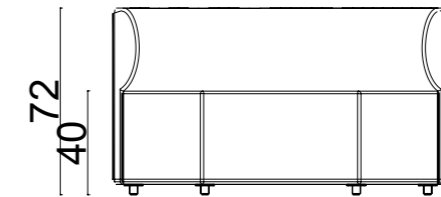
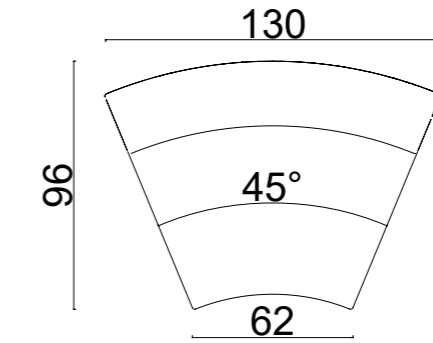
100x102x50 cm
m³ 0.51



40HC (Pcs):
120Pcs.



Assembled
Package



Moon Flat
Concave - No back
90 cm - 45°



Textile
2.0 mt



Real Leather
3.0 m²



42,00
KG
Net Weight



50,00
KG
Gross Weight



Stacking



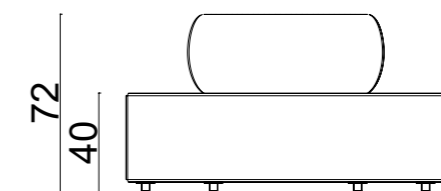
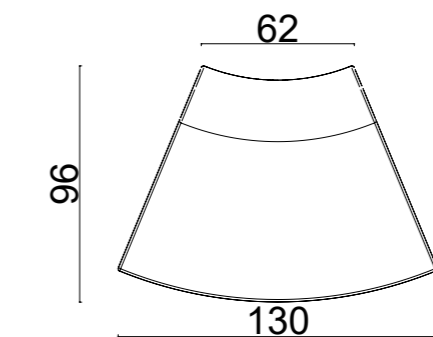
140x106x82 cm
m³ 1.22



40HC (Pcs):
48Pcs.



Assembled
Package



Moon Flat
Concave
130 cm - 45 °



Textile
2.2 mt



Real Leather
3.3 m²



38,00
KG
Net Weight



46,00
KG
Gross Weight



Stacking



140x106x82 cm
m³ 1.22



40HC (Pcs):
48Pcs.



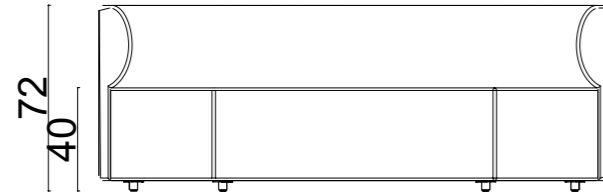
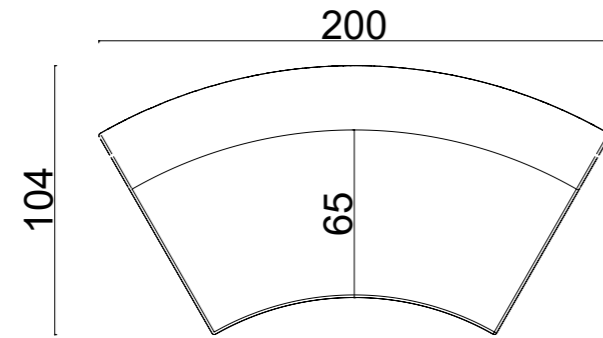
Assembled
Package

dimensions

moon flat

Technical info/

Base: Laser cut part
Back: Solid Beechwood + CNC Cutting HR foam
Seat: Solid Beechwood + Elastic Webbing + HR Foam
Upholstery: Fabric + Leather Fixed Cover



Moon Flat Convex
130 cm - 45 °

Textile
2.0 mt

Real Leather
3.0 m²

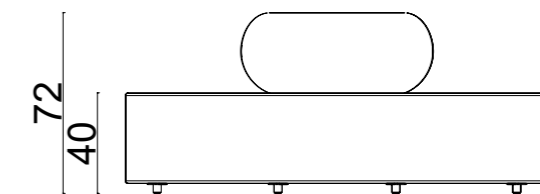
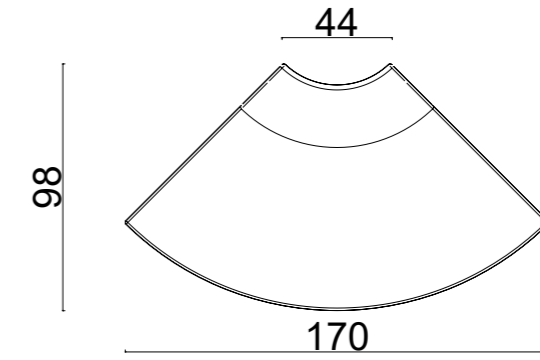
76,00
KG
Net Weight

96,00
KG
Gross Weight

Stacking

210x114x82 cm
m³ 1.96

40HC (Pcs): Assembled
30Pcs. Package



Moon Flat Convex
200 cm - 60 °

Textile
2.0 mt

Real Leather
3.0 m²

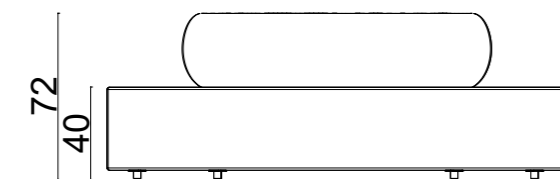
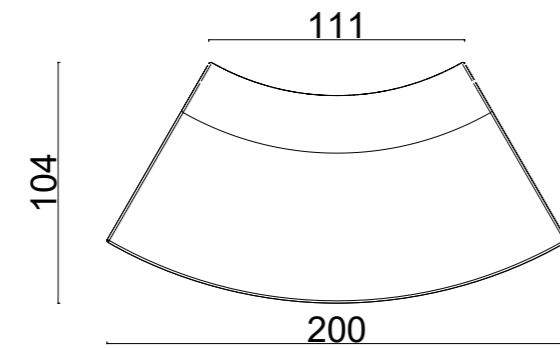
66,00
KG
Net Weight

76,00
KG
Gross Weight

Stacking

180x108x82 cm
m³ 1.59

40HC (Pcs): Assembled
36Pcs. Package



Moon Flat Concave
200 cm - 60 °

Textile
2.0 mt

Real Leather
3.0 m²

76,00
KG
Net Weight

96,00
KG
Gross Weight

Stacking

210x114x82 cm
m³ 1.96

40HC (Pcs): Assembled
30Pcs. Package



•ilex

www.ilex.com.tr

Factory

Esenehir Mah. Muradiye Sok.
No: 38 Ümraniye, İstanbul
E-mail: info@metaliks.com.tr
Phone: +90 216 641 16 06

İstanbul Showroom

Yukarı Dudullu Mah. Çam Sok.
No: 8/12 Ümraniye, İstanbul
E-mail: info@metaliks.com.tr
Phone: +90 537 959 04 04

Export

E-mail: export@metaliks.com.tr
Phone: +90 506 449 47 49