



ilex

# RIO

CHAIR





Rio chairs are suitable for conference environments as well as dining rooms, those chairs can be a luxurious and elegant choice for homes, restaurants and offices.



RIO WOOD LEG



RIO ARMLESS WOOD LEG



RIO OFFICE LEG



RIO ARMLESS OFFICE LEG



RIO TRIANGLE LEG



RIO ARMLESS TRIANGLE LEG



RIO X LEG



RIO ARMLESS X LEG



RIO WIRE LEG



RIO WIRE ARMLESS LEG



RIO CONICAL LEG



RIO ARMLESS CONICAL LEG



WOOD LEG



ARMLESS WOOD LEG





OFFICE LEG



ARMLESS OFFICE LEG

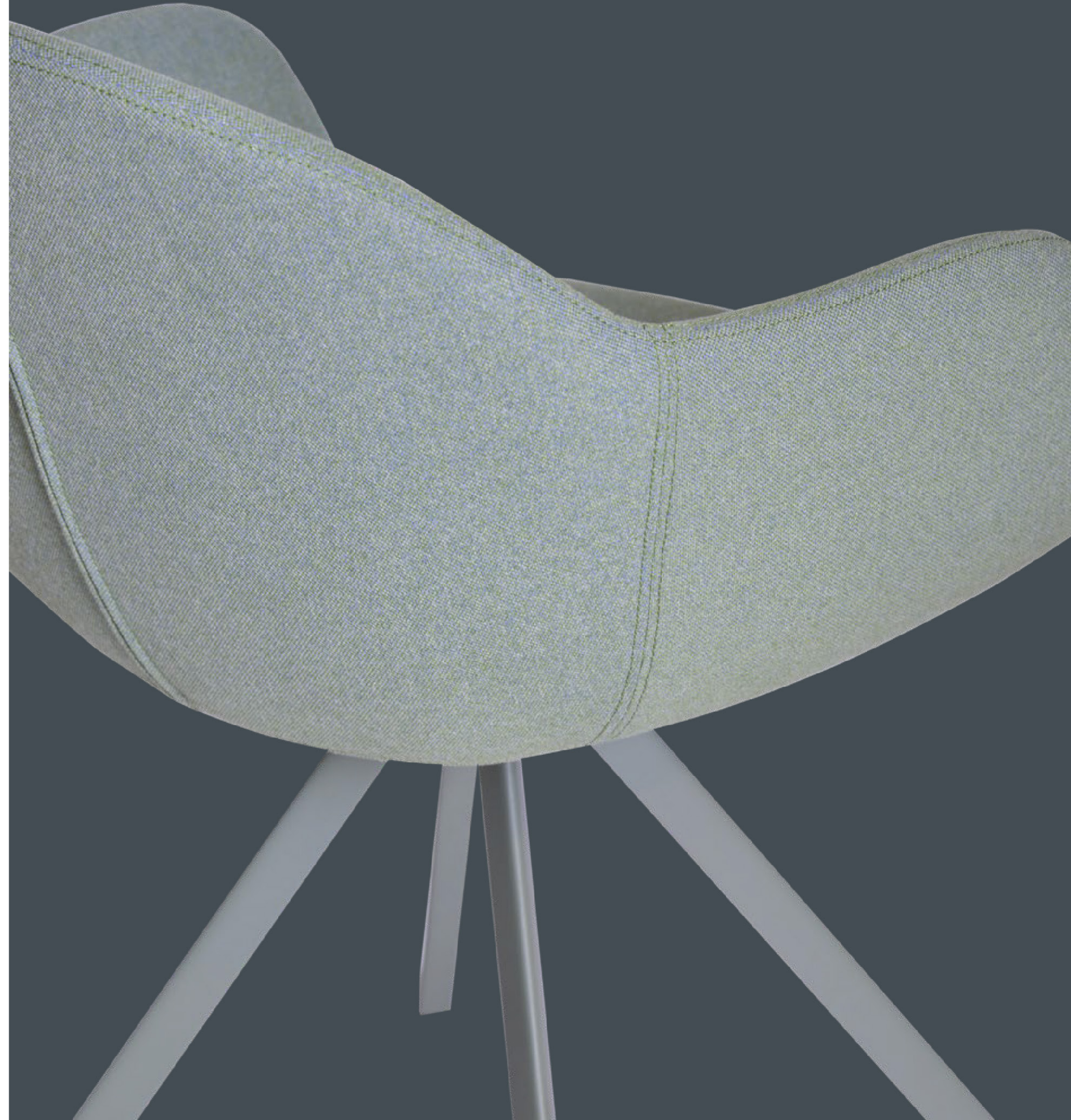




TRIANGLE LEG



ARMLESS TRIANGLE LEG





X LEG



ARMLESS X LEG





WIRE LEG



ARMLESS WIRE LEG





CONICAL LEG



ARMLESS CONICAL LEG



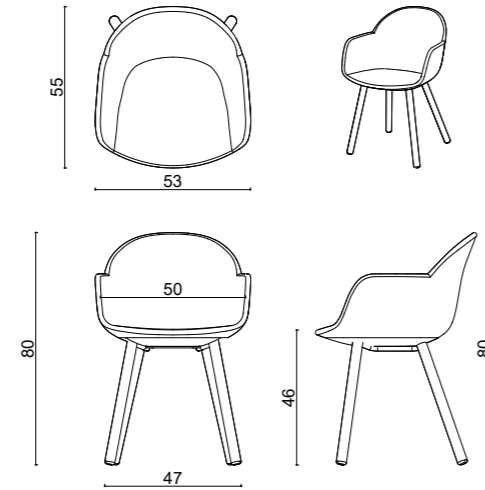


# dimensions

## rio

### Technical info / WOOD LEG

Base: Solid beechwood Leg + Ø12 mm decorative wire + Laser cut part  
 Back: Metal Structure + Polyurethane  
 Seat: Metal Structure + Polyurethane  
 Upholstery: Fabric + Leather Fixed Cover



Wood Leg

Textile  
1.3 mt

Real Leather  
2.0 m<sup>2</sup>

Net Weight  
7,00 KG

Gross Weight  
9,65 KG

Stacking

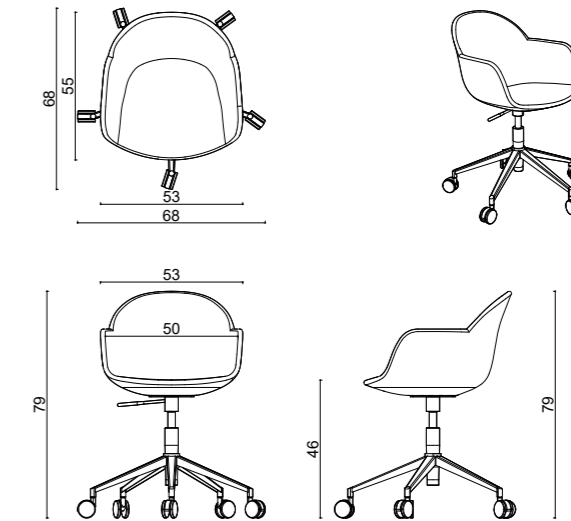
63x73x81 cm  
m<sup>3</sup> 0.37

40HC (Pcs):  
171Pcs.

Assembled  
Package

### Technical info / OFFICE LEG

Base: Laser cut part + Solid Metal  
 Back: Metal Structure + Polyurethane  
 Seat: Metal Structure + Polyurethane  
 Upholstery: Fabric + Leather Fixed Cover



Office Leg

Textile  
1.3 mt

Real Leather  
2.0 m<sup>2</sup>

Net Weight  
10,50 KG

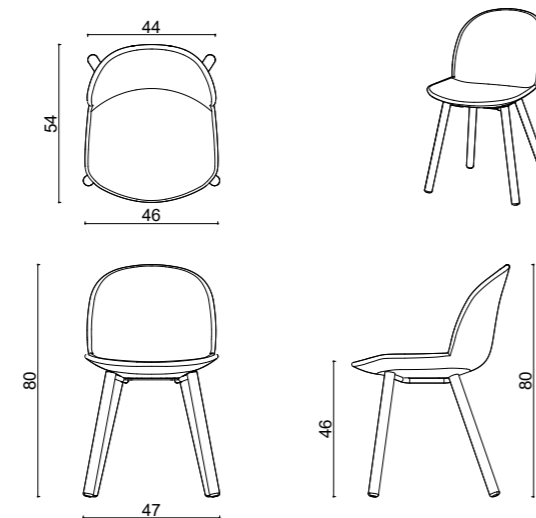
Gross Weight  
13,15 KG

Stacking

63x73x81 cm  
m<sup>3</sup> 0.37

40HC (Pcs):  
171Pcs.

Assembled  
Package



Armless Wood Leg

Textile  
1.0 mt

Real Leather  
1.5 m<sup>2</sup>

Net Weight  
6,00 KG

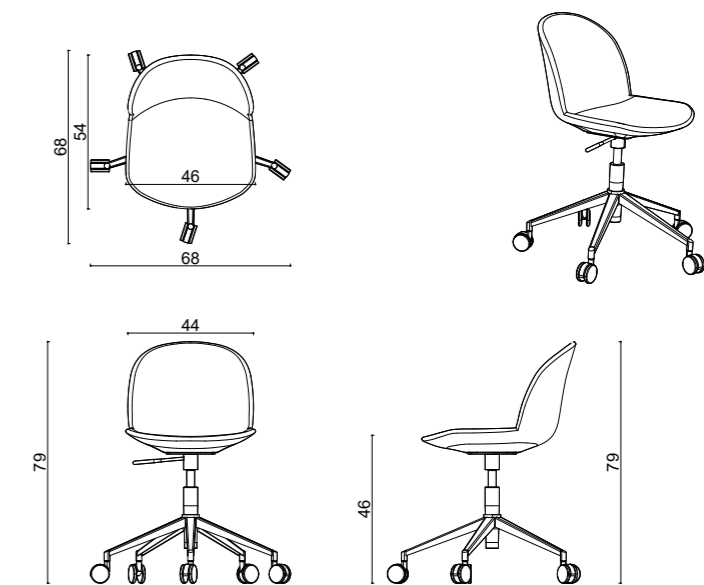
Gross Weight  
8,65 KG

Stacking

63x73x81 cm  
m<sup>3</sup> 0.37

40HC (Pcs):  
171Pcs.

Assembled  
Package



Armless Office Leg

Textile  
1.0 mt

Real Leather  
1.5 m<sup>2</sup>

Net Weight  
9,45 KG

Gross Weight  
12,10 KG

Stacking

63x73x81 cm  
m<sup>3</sup> 0.37

40HC (Pcs):  
171Pcs.

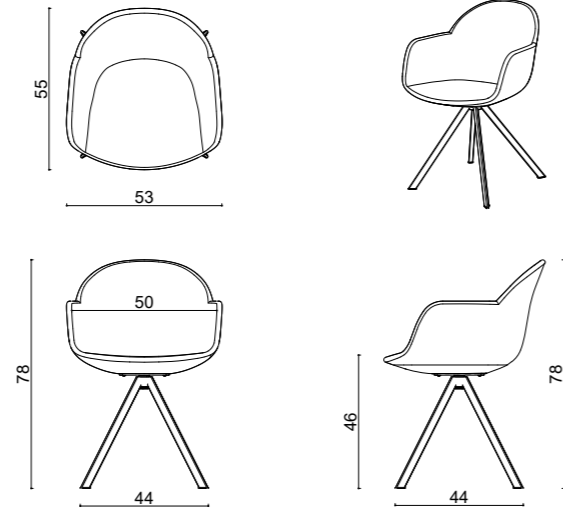
Assembled  
Package

# dimensions

## rio

### Technical info / TRIANGLE LEG

Base: 20 x 29,76 x 1.5 mm Oval Tube + + Laser cut part  
 Back: Metal Structure + Polyurethane  
 Seat: Metal Structure + Polyurethane  
 Upholstery: Fabric + Leather Fixed Cover



Triangle Leg

Textile  
1.3 mt

Real Leather  
2.0 m<sup>2</sup>

Net Weight  
8,35 KG

Gross Weight  
11,00 KG

Stacking

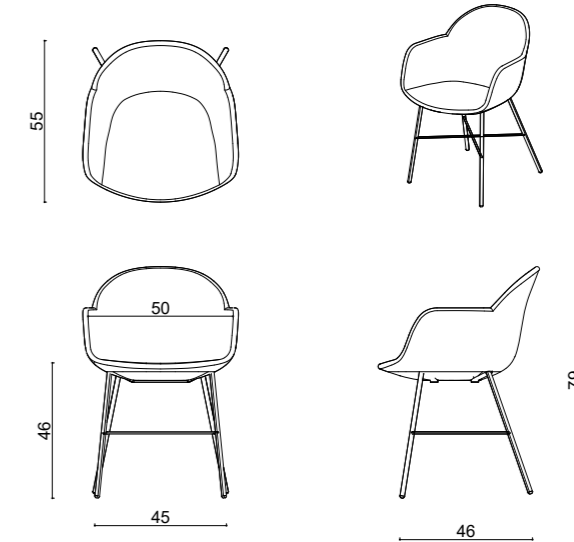
63x73x81 cm  
m<sup>3</sup> 0.37

40HC (Pcs):  
171Pcs.

Assembled  
Package

### Technical info / TRIANGLE LEG

Base: Ø16 mm Metal Tube + Ø8 mm decorative wire + Laser cut part  
 Back: Metal Structure + Polyurethane  
 Seat: Metal Structure + Polyurethane  
 Upholstery: Fabric + Leather Fixed Cover



X Leg

Textile  
1.3 mt

Real Leather  
2.0 m<sup>2</sup>

Net Weight  
7,35 KG

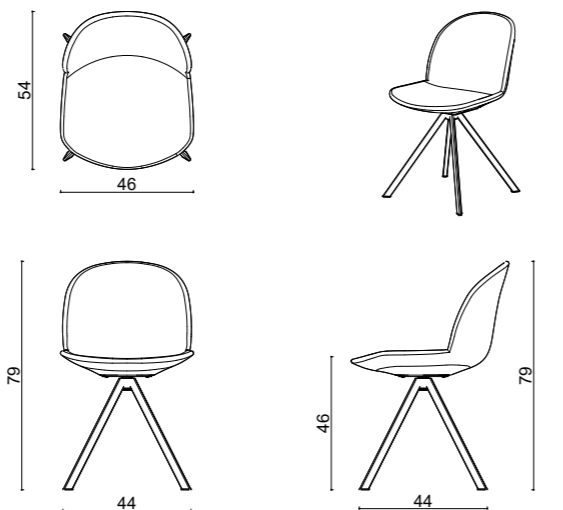
Gross Weight  
10,00 KG

Stacking

63x73x81 cm  
m<sup>3</sup> 0.37

40HC (Pcs):  
171Pcs.

Assembled  
Package



Armless  
Triangle Leg

Textile  
1.0 mt

Real Leather  
1.5 m<sup>2</sup>

Net Weight  
7,15 KG

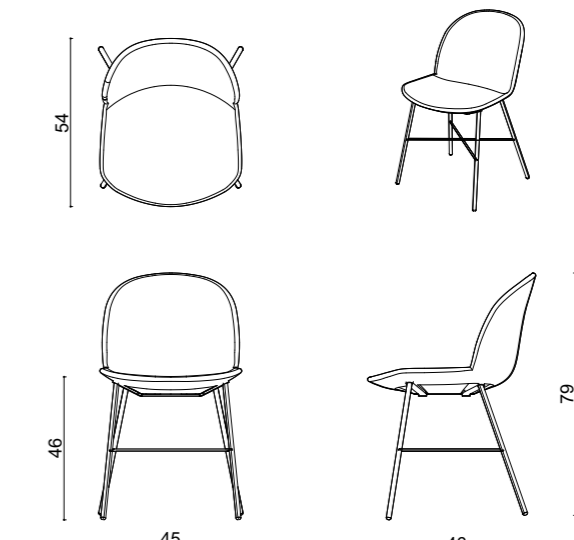
Gross Weight  
9,80 KG

Stacking

63x73x81 cm  
m<sup>3</sup> 0.37

40HC (Pcs):  
171Pcs.

Assembled  
Package



Armless X Leg

Textile  
1.0 mt

Real Leather  
1.5 m<sup>2</sup>

Net Weight  
6,15 KG

Gross Weight  
8,80 KG

Stacking

63x73x81 cm  
m<sup>3</sup> 0.37

40HC (Pcs):  
171Pcs.

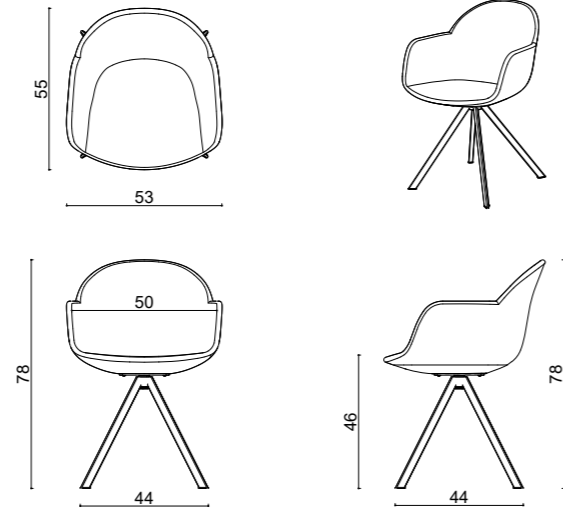
Assembled  
Package

# dimensions

## rio

### Technical info / WIRE LEG

Base: Ø12 mm decorative wire + Laser cut part  
 Back: Metal Structure + Polyurethane  
 Seat: Metal Structure + Polyurethane  
 Upholstery: Fabric + Leather Fixed Cover



Wire Leg



Textile  
1.3 mt



Real Leather  
2.0 m<sup>2</sup>



9,00  
KG  
Net Weight



11,65  
KG  
Gross Weight



Stacking



63x73x81 cm  
m<sup>3</sup> 0.37



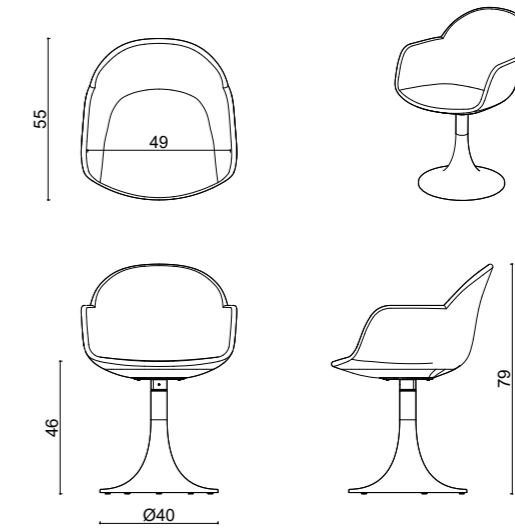
40HC (Pcs):  
171Pcs.



Assembled  
Package

### Technical info / CONICAL LEG

Base: Ø12 mm decorative wire + Laser cut part + Conic pedestal base  
 Back: Metal Structure + Polyurethane  
 Seat: Metal Structure + Polyurethane  
 Upholstery: Fabric + Leather Fixed Cover



Conical Leg



Textile  
1.3 mt



Real Leather  
2.0 m<sup>2</sup>



12,50  
KG  
Net Weight



15,15  
KG  
Gross Weight



Stacking



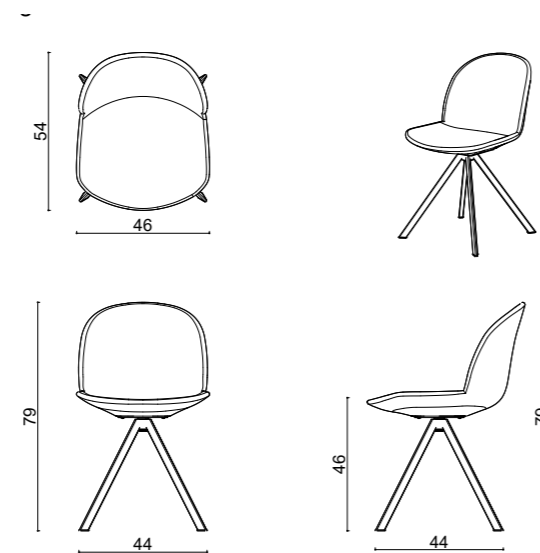
63x73x81 cm  
m<sup>3</sup> 0.37



40HC (Pcs):  
171Pcs.



Assembled  
Package



Armless  
Wire Leg



Textile  
1.0 mt



Real Leather  
1.5 m<sup>2</sup>



8,00  
KG  
Net Weight



10,65  
KG  
Gross Weight



Stacking



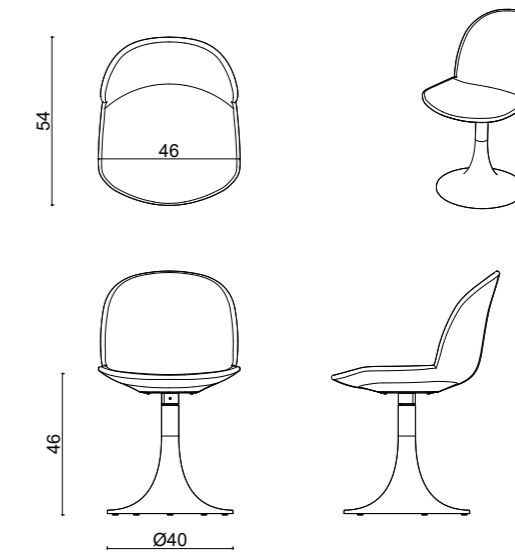
63x73x81 cm  
m<sup>3</sup> 0.37



40HC (Pcs):  
171Pcs.



Assembled  
Package



Armless  
Conical Leg



Textile  
1.0 mt



Real Leather  
1.5 m<sup>2</sup>



11,50  
KG  
Net Weight



14,15  
KG  
Gross Weight



Stacking



63x73x81 cm  
m<sup>3</sup> 0.37



40HC (Pcs):  
171Pcs.



Assembled  
Package

•ilex

[www.ilex.com.tr](http://www.ilex.com.tr)

**Factory**

Eseşehir Mah. Muradiye Sok.  
No: 38 Ümraniye, İstanbul  
E-mail: [info@metaliks.com.tr](mailto:info@metaliks.com.tr)  
Phone: +90 216 641 16 06

**İstanbul Showroom**

Yukarı Dudullu Mah. Çam Sok.  
No: 8/12 Ümraniye, İstanbul  
E-mail: [info@metaliks.com.tr](mailto:info@metaliks.com.tr)  
Phone: +90 537 959 04 04

**Export**

E-mail: [export@metaliks.com.tr](mailto:export@metaliks.com.tr)  
Phone: +90 506 449 47 49