

•ilex

# JUSTIN

LOW TABLE





# justin



Justin Side Table

Minimalist, stylish, and  
endlessly versatile—



Justin Low Table

Whether you prefer **marble,**  
**glass, or lacquer,** Justin  
adapts to your unique style.

A statement piece that's as  
functional as it is stylish!





# justin

Justin low table is the perfect finishing touch for your home.



Justin Double Coffee Table



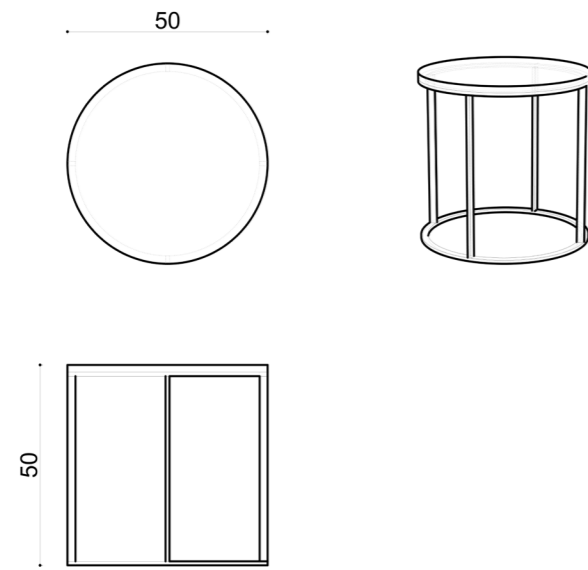
Available in multiple sizes and finishes, it blends seamlessly with any decor. Elevate your space with a touch of luxury and effortless design.

# dimensions justin

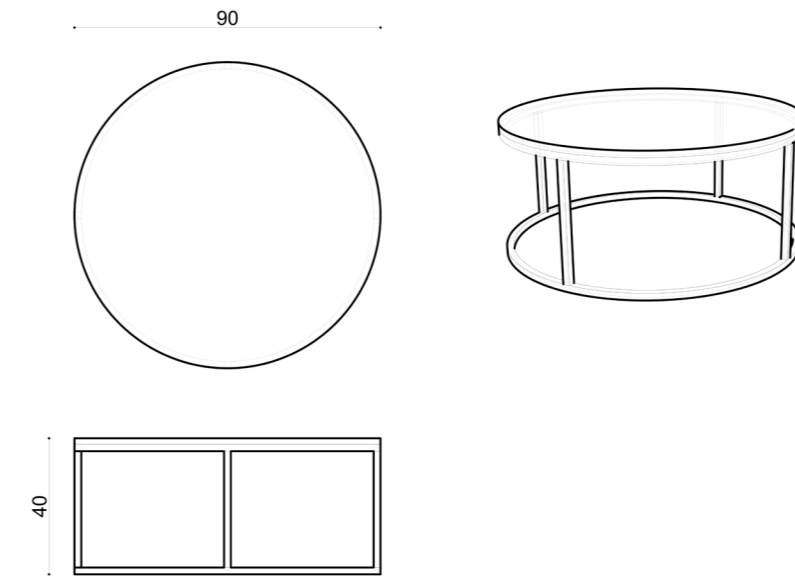


Technical info/

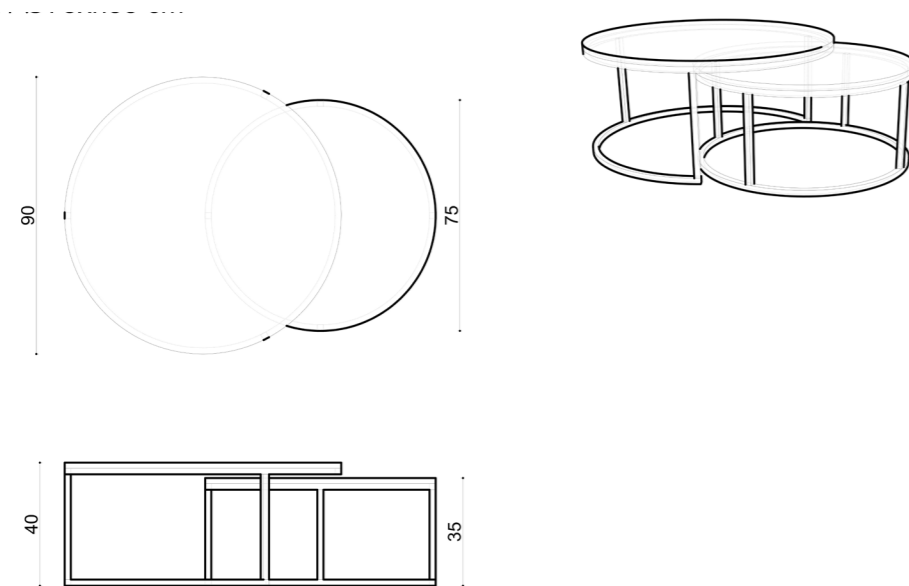
**Base:** Top laser cut part + Half sphere top + Conic pedestal base + Plastic glide is used under the leg.



| BASE FINISH           |                                   |    |
|-----------------------|-----------------------------------|----|
| ✓                     | Electrostatic Powder Coated       |    |
| ✓                     | Brushed Covering or Brushed Paint |    |
| ✓                     | Stainless Steel Finishes          |    |
| ✓                     | Stainless Steel PVD Covering      |    |
| TOP FINISH            |                                   |    |
| ✓                     | Marble                            | 18 |
| ✓                     | Veener                            |    |
| ✓                     | Digital Printing Lacquer          |    |
| ✓                     | Lacquer                           | 10 |
| ✓                     | Ceramic                           |    |
| ✓                     | Glass                             | 6  |
| PACKAGING INFORMATION |                                   |    |
| Size                  | Ø50xH:50                          |    |
| Box Cbm (m³)          | 0,17                              |    |
| Net Weight (kg)       | 12                                |    |
| Gross Weight (kg)     | 15                                |    |
| Container 40 HC(Pcs)  | 336                               |    |



| BASE FINISH           |                                   |    |
|-----------------------|-----------------------------------|----|
| ✓                     | Electrostatic Powder Coated       |    |
| ✓                     | Brushed Covering or Brushed Paint |    |
| ✓                     | Stainless Steel Finishes          |    |
| ✓                     | Stainless Steel PVD Covering      |    |
| TOP FINISH            |                                   |    |
| ✓                     | Marble                            | 18 |
| ✓                     | Veener                            |    |
| ✓                     | Digital Printing Lacquer          |    |
| ✓                     | Lacquer                           | 10 |
| ✓                     | Ceramic                           |    |
| ✓                     | Glass                             | 6  |
| PACKAGING INFORMATION |                                   |    |
| Size                  | Ø90xH:40                          |    |
| Box Cbm (m³)          | 0,46                              |    |
| Net Weight (kg)       | 40,7                              |    |
| Gross Weight (kg)     | 49,1                              |    |
| Container 40 HC(Pcs)  | 120                               |    |



| BASE FINISH           |                                   |    |
|-----------------------|-----------------------------------|----|
| ✓                     | Electrostatic Powder Coated       |    |
| ✓                     | Brushed Covering or Brushed Paint |    |
| ✓                     | Stainless Steel Finishes          |    |
| ✓                     | Stainless Steel PVD Covering      |    |
| TOP FINISH            |                                   |    |
| ✓                     | Marble                            | 18 |
| ✓                     | Veener                            |    |
| ✓                     | Digital Printing Lacquer          |    |
| ✓                     | Lacquer                           | 10 |
| ✓                     | Ceramic                           |    |
| ✓                     | Glass                             | 6  |
| PACKAGING INFORMATION |                                   |    |
| Size                  | Ø75xH:35    Ø90xH:40              |    |
| Box Cbm (m³)          | 0,29    0,46                      |    |
| Net Weight (kg)       | 30,2    40,7                      |    |
| Gross Weight (kg)     | 36,7    49,1                      |    |
| Container 40 HC(Pcs)  | 168    120                        |    |



• ilex

[www.ilex.com.tr](http://www.ilex.com.tr)

**Factory**

Esenehir Mah. Muradiye Sok.  
No: 38 Ümraniye, İstanbul  
E-mail: [info@metaliks.com.tr](mailto:info@metaliks.com.tr)  
Phone: +90 216 641 16 06

**İstanbul Showroom**

Yukarı Dudullu Mah. Çam Sok.  
No: 8/12 Ümraniye, İstanbul  
E-mail: [info@metaliks.com.tr](mailto:info@metaliks.com.tr)  
Phone: +90 537 959 04 04

**Export**

E-mail: [export@metaliks.com.tr](mailto:export@metaliks.com.tr)  
Phone: +90 506 449 47 49