

ilex

BIRIM

CHAIR



birim

conical chair



Birim is a flower that blooms to welcome you with a retro style in a comfortable embrace.

Birim is an upholstered chair with fabric covering.

Birim is a soft, fluid, never pungent design, which accompanies the lines and shapes to unite them in a single circular design. The fabric upholstery embraces Birim and is sewn onto it, covering it entirely from the seat to the base.

Birim is a small domestic throne that matches the table Layer perfectly.



These two objects establish a dialogue starting from their bases. Both pieces sit atop a truncated pyramid with rounded edges to reconcile the concepts of elegance and charm. The base widens gently on the back side as it nears the floor. It becomes almost unnoticeable and provides great stability without interfering with the harmony of the design.

A padded seat provides necessary comfort. Moreover, the accentuated tilt of the backrest and its enveloping shape help people relax without compromising the ideal posture to adopt when interacting with others elegantly around a dining table.



birim

wood leg

Birim wood leg chair offers inviting and perfect support thanks to its curved back. This chair is crafted with multiple layers of foam around a sturdy metal frame, featuring extra-thick upholstery for unparalleled comfort. It's available with a fixed four-legged wooden base, combining natural charm with modern design.



birim[🏠]

pipe leg

Birim pipe leg chair offers inviting and perfect support thanks to its curved back. This chair is constructed from multiple layers of foam around a sturdy metal frame, with extrathick upholstery for ultimate comfort. It's available with a fixed four-legged base or an optional rotatable stativ base.



birim 
triangle leg



Elegance meets functionality

Discover the captivating allure of Birim Chair, designed with sleek metal legs and plush, curved cushions that embrace you in ultimate relaxation. This chair combines minimalist aesthetics with modern ergonomics, delivering a perfect balance of elegance and functionality to elevate any living space.

birim 
bold leg



Promising comfort and style

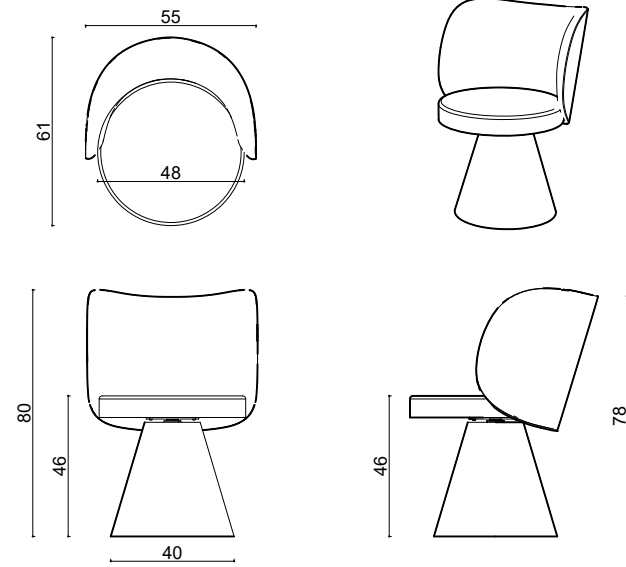
Experience the whimsical charm of the Birim Armchair, featuring four cylindrical wooden legs and rounded, modern cushions for both seating and backrest. This chair is a delightful fusion of fun and contemporary design, promising comfort and style in equal measure.

dimensions

birim

Technical info/Conical Leg

Base: Fabric Covered Metal Conik + Plastic glide is used under the leg
Back: Plywood + HR Foam
Seat: 15mm Beec Plywood + Elastic Webbing + HR Foam
Upholstery: Fabric + Leather Fixed Cover



Conical Leg

Textile
1.75 m²

Real Leather
2.6 mt

Net Weight
14,50 KG

Gross Weight
18,15 KG

Stacking

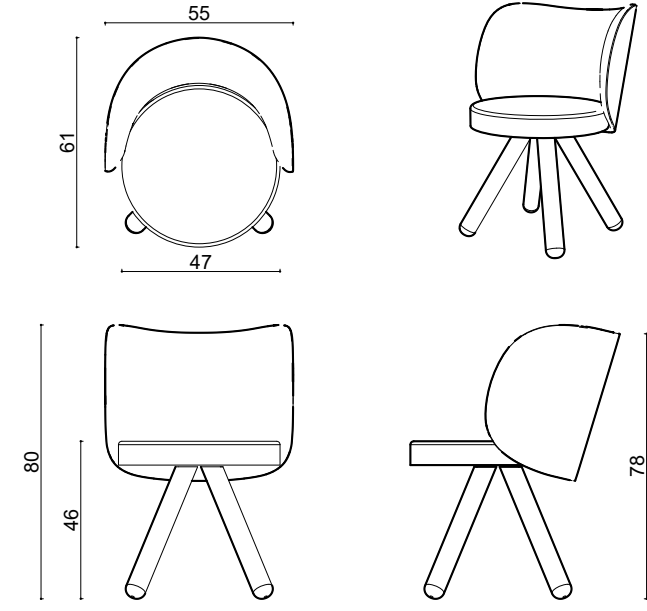
63x73x81 cm
m³ 0.37

40HC (Pcs):
171Pcs.

Assembled Package

Technical info/Pipe Leg

Base: Ø22 mm Metal Tube + Plastic glide is used under the leg
Back: Plywood + HR Foam
Seat: 15mm Beec Plywood + Elastic Webbing + HR Foam
Upholstery: Fabric + Leather Fixed Cover



Bold Leg

Textile
1.75 m²

Real Leather
2.6 mt

Net Weight
13,00 KG

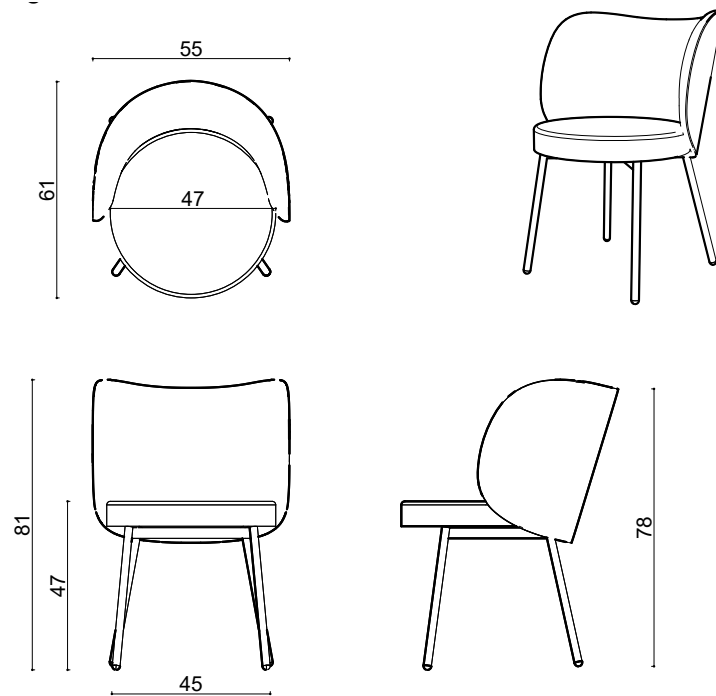
Gross Weight
16,50 KG

Stacking

63x73x81 cm
m³ 0.37

40HC (Pcs):
171Pcs.

Assembled Package



Pipe Leg

Textile
1.5 m²

Real Leather
2.3 mt

Net Weight
9,25 KG

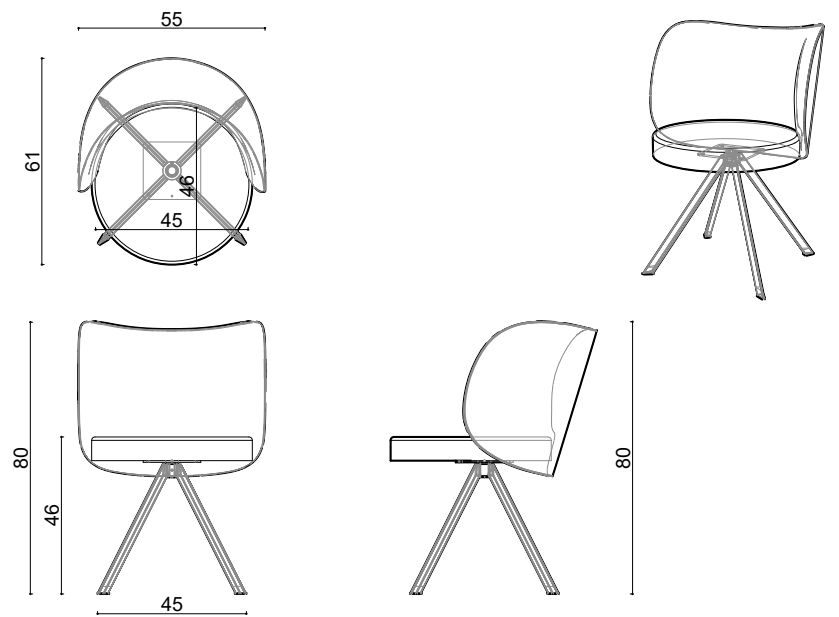
Gross Weight
12,30 KG

Stacking

63x73x81 cm
m³ 0.37

40HC (Pcs):
171Pcs.

Assembled Package



Triangle Leg

Textile
1.5 m²

Real Leather
2.3 mt

Net Weight
9,00 KG

Gross Weight
12,15 KG

Stacking

63x73x81 cm
m³ 0.37

40HC (Pcs):
171Pcs.

Assembled Package

dimensions
birim



Technical info/Wood Leg

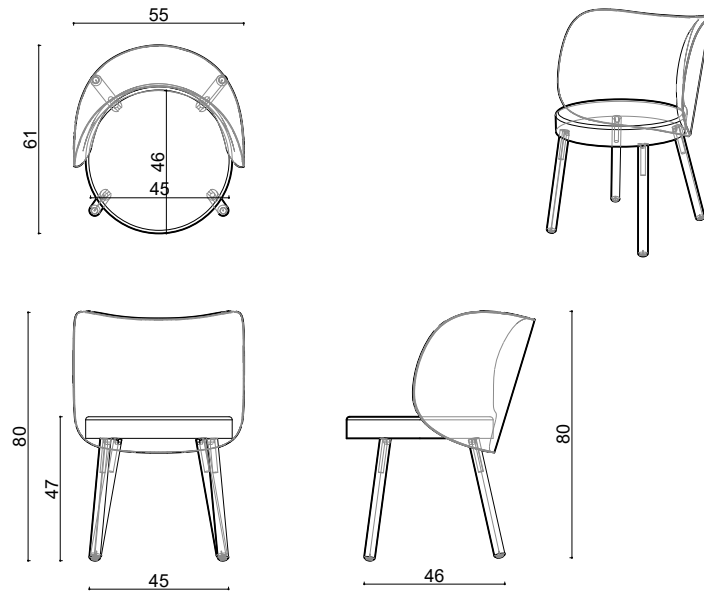
Base: Ø22 mm Metal Tube + Plastic glide is used under the leg
Back: Plywood + HR Foam
Seat: 15mm Beec Plywood + Elastic Webbing + HR Foam
Upholstery: Fabric + Leather Fixed Cover

Technical info/Triangle Leg

Base: Ø22 mm Metal Tube + Plastic glide is used under the leg
Back: Plywood + HR Foam
Seat: 15mm Beec Plywood + Elastic Webbing + HR Foam
Upholstery: Fabric + Leather Fixed Cover

Technical info/Bold Leg

Base: Fabric Covered Ø60 mm Metal Tube + Plastic glide is used under the leg
Back: Plywood + HR Foam
Seat: 15mm Beec Plywood + Elastic Webbing + HR Foam
Upholstery: Fabric + Leather Fixed Cover



Wood Leg

Textile
1.5 m²

Real Leather
2.3 mt

7,85
KG
Net Weight

10,75
KG
Gross Weight

Stacking

63x73x81 cm
m³ 0.37

40HC (Pcs):
171Pcs.

Assembled
Package

•ilex

www.ilex.com.tr

Factory

Eseşehir Mah. Muradiye Sok.
No: 38 Ümraniye, İstanbul
E-mail: info@metaliks.com.tr
Phone: +90 216 641 16 06

İstanbul Showroom

Yukarı Dudullu Mah. Çam Sok.
No: 8/12 Ümraniye, İstanbul
E-mail: info@metaliks.com.tr
Phone: +90 537 959 04 04

Export

E-mail: export@metaliks.com.tr
Phone: +90 506 449 47 49