

•ilex

TENOR

LOW TABLE



tenor

Introducing the Tenor low table—a masterpiece of design and versatility.



Ø70xh36 cm



Ø100xh41 cm

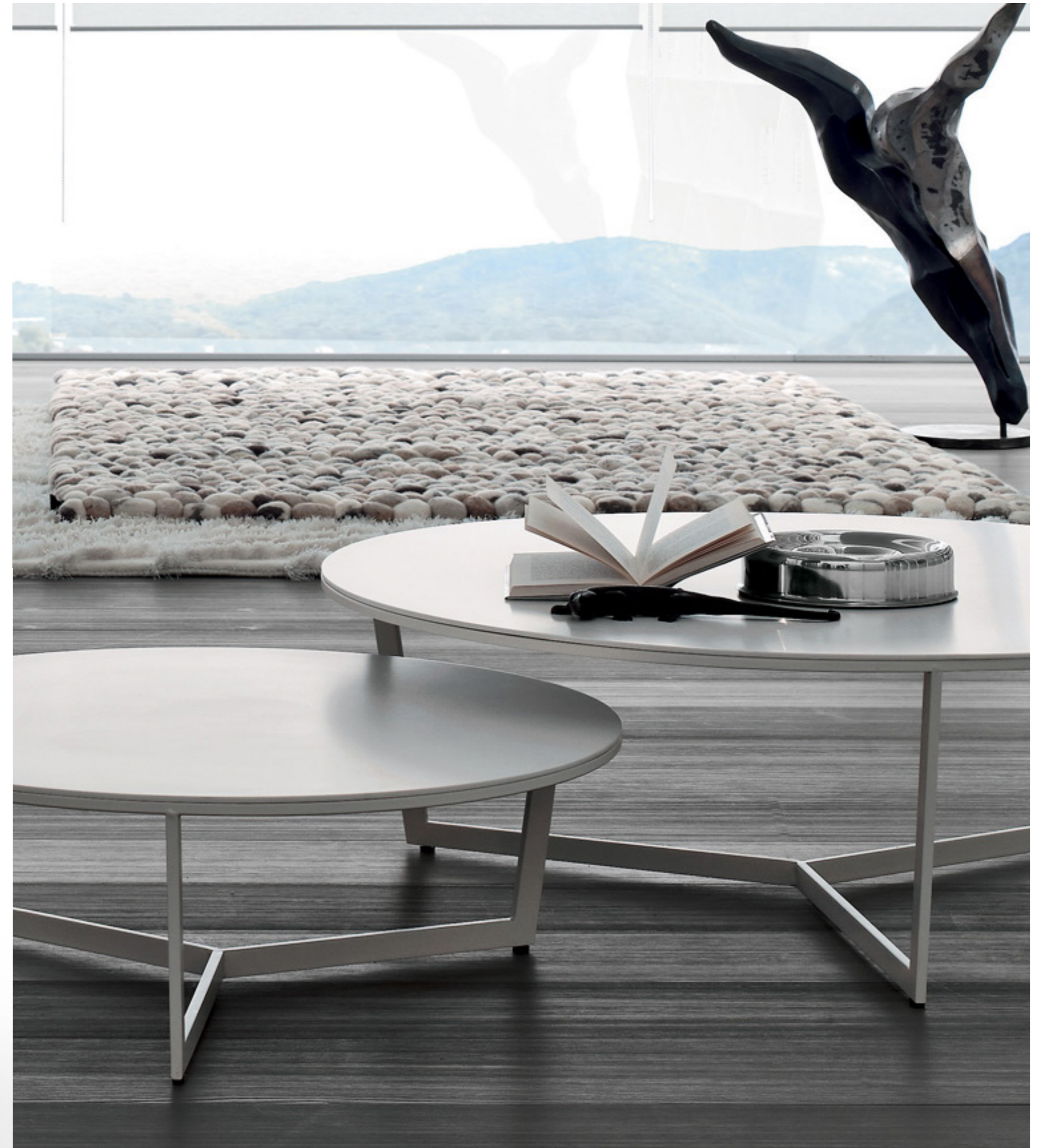


tenor

Elevate your living space with the Tenor...

Its sleek design and customizable options make it the perfect addition to any modern home. Choose from luxurious marble or contemporary glass tops, paired with a frame finish that complements your style. Available in two sizes to fit your space perfectly.

Discover the art of fine living with Tenor.

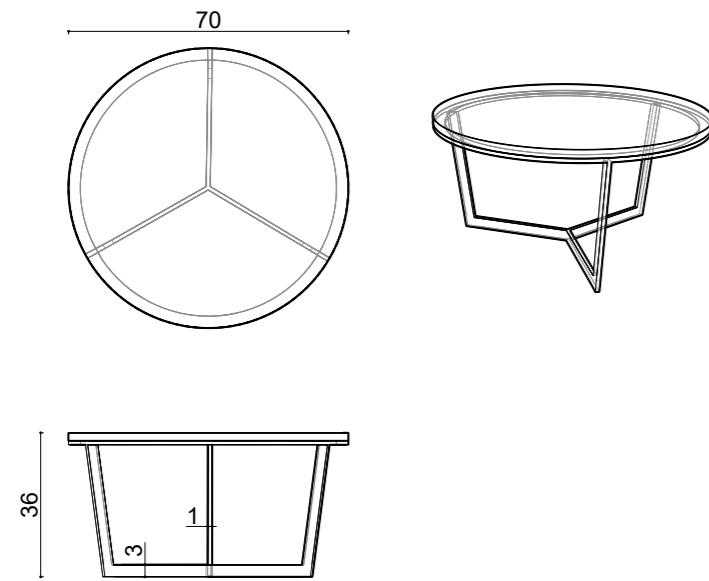


dimensions tenor

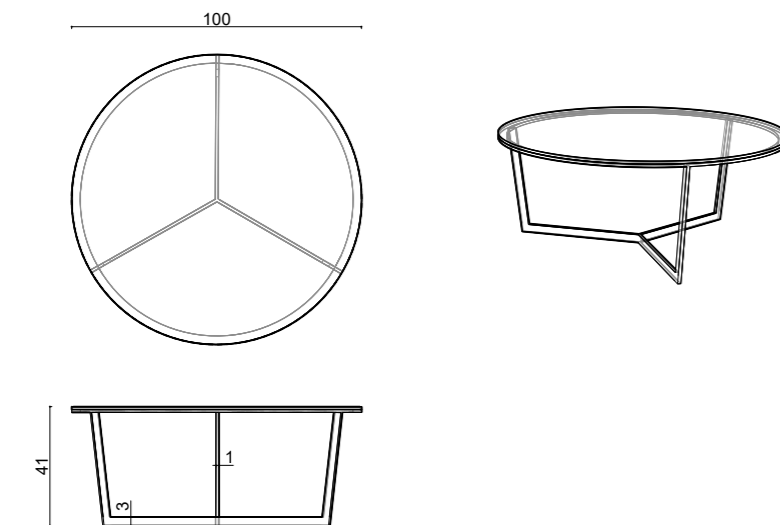


Technical info/

Base: Aluminium Base



BASE FINISH		
✓	Electrostatic Powder Coated	
✓	Brushed Finish	
✓	Stainless Steel Finishes	
✓	Stainless Steel PVD Covering	
TOP FINISH		
✓	Marble	
✓	Veener	18
✓	Digital Pirinting Lacquer	
✓	Lacquer	
✓	Ceramic	10
✓	Glass	6
PACKAGING INFORMATION		
Size	Ø70xH:36	
Box Cbm (m³)	0,27	
Net Weight (kg)	20,6	
Gross Weight (kg)	26,6	
Container 40 HC(Pcs)	180	



BASE FINISH		
✓	Electrostatic Powder Coated	
✓	Brushed Finish	
✓	Stainless Steel Finishes	
✓	Stainless Steel PVD Covering	
TOP FINISH		
✓	Marble	
✓	Veener	18
✓	Digital Pirinting Lacquer	
✓	Lacquer	
✓	Ceramic	10
✓	Glass	6
PACKAGING INFORMATION		
Size	Ø100xH:41	
Box Cbm (m³)	0,58	
Net Weight (kg)	44	
Gross Weight (kg)	51	
Container 40 HC(Pcs)	110	



ilex

www.ilex.com.tr

Factory

Esenehir Mah. Muradiye Sok.
No: 38 Ümraniye, İstanbul
E-mail: info@metaliks.com.tr
Phone: +90 216 641 16 06

İstanbul Showroom

Yukarı Dudullu Mah. Çam Sok.
No: 8/12 Ümraniye, İstanbul
E-mail: info@metaliks.com.tr
Phone: +90 537 959 04 04

Export

E-mail: export@metaliks.com.tr
Phone: +90 506 449 47 49