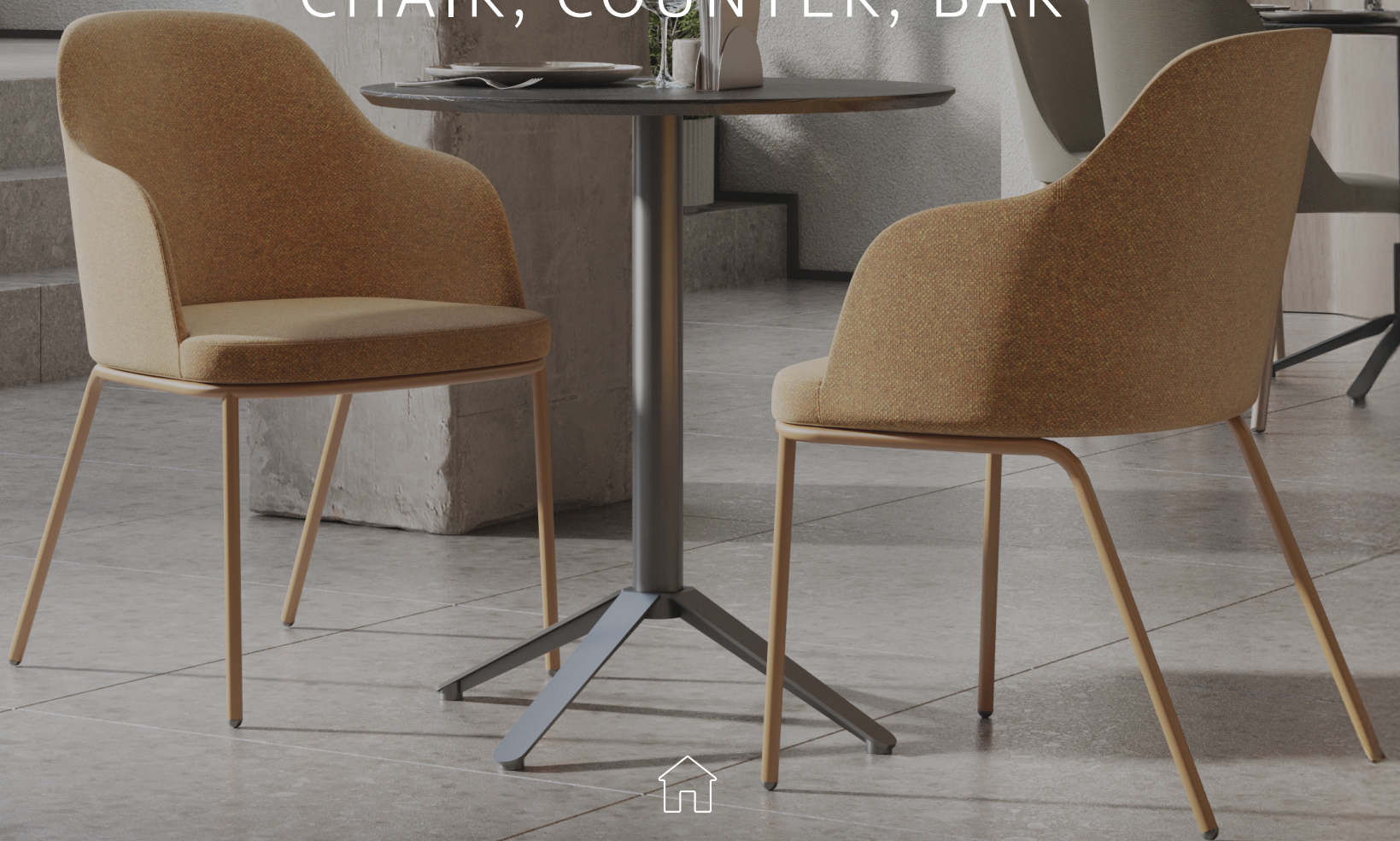


RHONE

CHAIR, COUNTER, BAR





Rhone chairs are suitable for conference environments as well as dining rooms, those chairs can be a luxurious and elegant choice for homes, restaurants and offices.



Triangle Leg



Armless Triangle Leg



Pipe Leg



Armless Pipe Leg



Wood Dowel Leg



Armless Wood Dowel Leg



Conical Leg



Conical Armless Leg



Wood Dowel Leg Bar



Wood Dowel Leg Counter



Conical Bar



Conical Counter Bar



Office Leg



Office Armless Leg



PIPE LEG



ARMLESS PIPE LEG





TRIANGLE LEG



ARMLESS TRIANGLE LEG





CONICAL LEG



CONICAL ARMLESS LEG





CONICAL BAR



CONICAL COUNTER





OFFICE LEG



ARMLESS OFFICE LEG



dimensions rhone

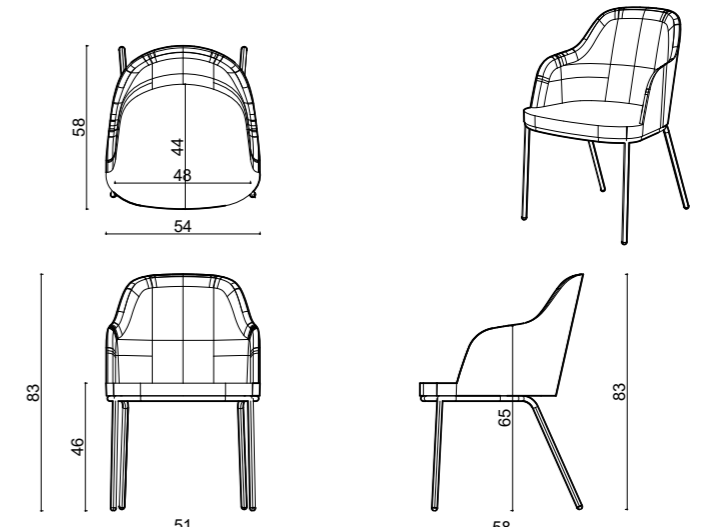
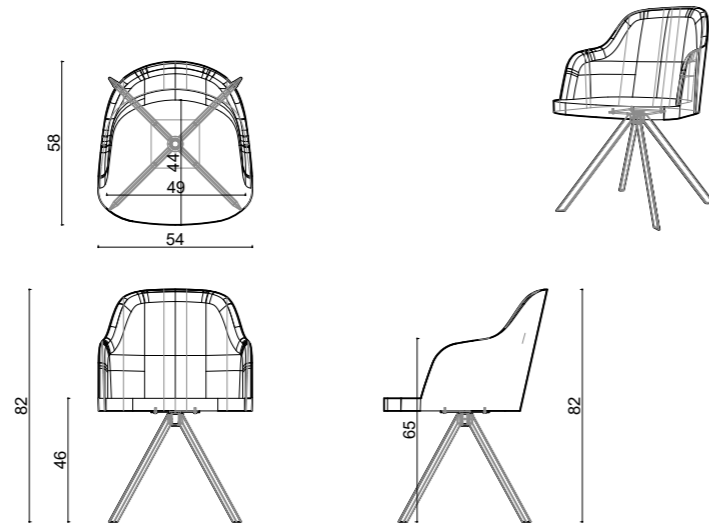


Technical info: **TRIANGLE LEG**

Base: 20 x 29,76 x 1.5 mm Oval Tube + Laser cut part
 Back: Metal Structure + Polyurethane
 Seat: Metal Structure + Polyurethane
 Upholstery: Fabric + Leather Fixed Cover

Technical info: **PIPE LEG**

Base: Ø19 mm Pipe + Laser cut part
 Back: Metal Structure + Polyurethane
 Seat: Metal Structure + Polyurethane
 Upholstery: Fabric + Leather Fixed Cover



Triangle Leg



Textile
1.3 mt



Real Leather
2.0 m²



10,45
KG
Net Weight



13,35
KG
Gross Weight



Stacking



64x64x90 cm
m³ 0.37



40HC (Pcs):
108Pcs.



Assembled
Package

Pipe Leg



Textile
1.3 mt



Real Leather
2.0 m²



9,00
KG
Net Weight



11,75
KG
Gross Weight



Stacking



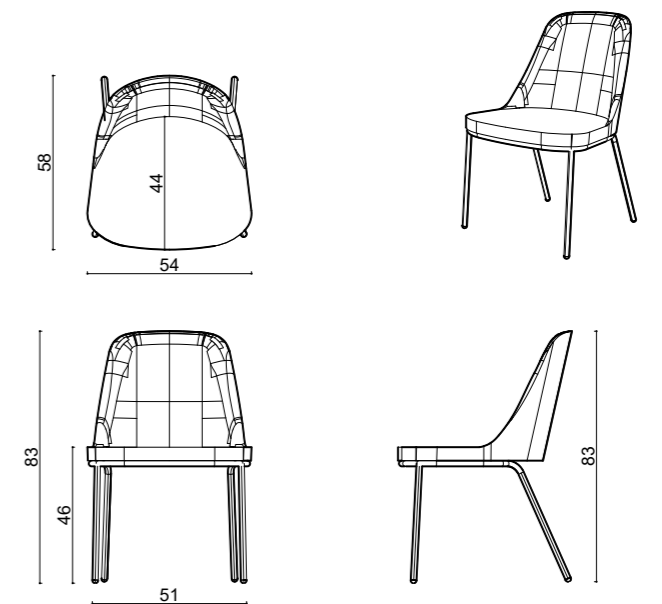
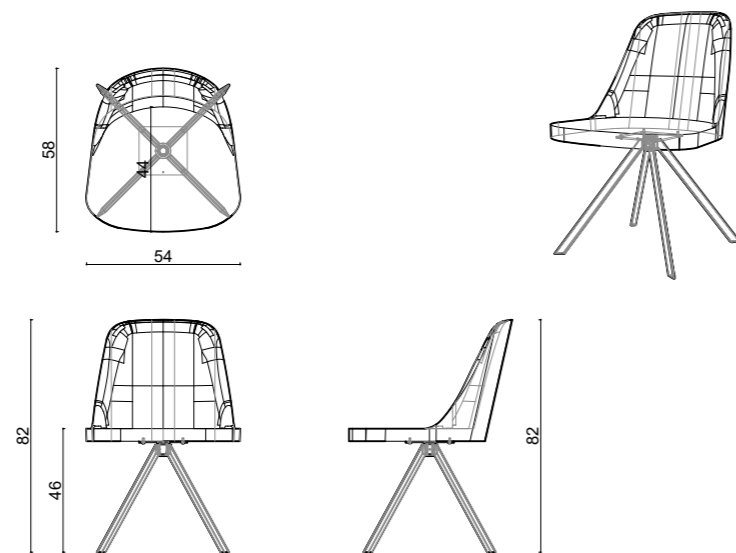
64x64x90 cm
m³ 0.37



40HC (Pcs):
108Pcs.



Assembled
Package



Armless
Triangle Leg



Textile
1.15 mt



Real Leather
1.7 m²



9,25
KG
Net Weight



12,15
KG
Gross Weight



Stacking



64x64x90 cm
m³ 0.37



40HC (Pcs):
108Pcs.



Assembled
Package

Armless
Pipe Leg



Textile
1.15 mt



Real Leather
1.7 m²



7,80
KG
Net Weight



10,55
KG
Gross Weight



Stacking



64x64x90 cm
m³ 0.37



40HC (Pcs):
108Pcs.



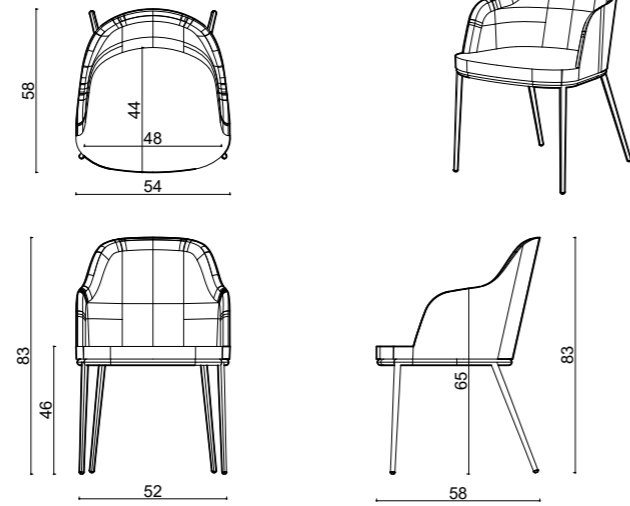
Assembled
Package

dimensions rhone



Technical info: CONICAL LEG

Base: Ø22 mm Conical Pipe + Laser cut part
 Back: Metal Structure + Polyurethane
 Seat: Metal Structure + Polyurethane
 Upholstery: Fabric + Leather Fixed Cover



Conical Leg

Textile
1.3 mt

Real Leather
2.0 m²

Net Weight
9,35 KG

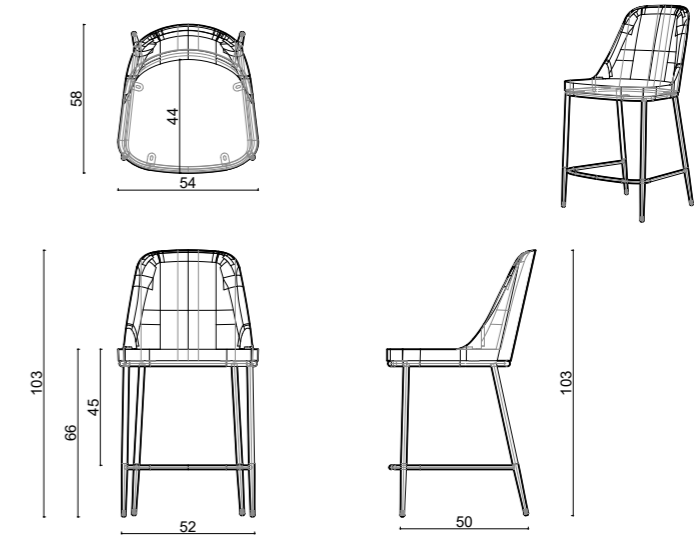
Gross Weight
12,10 KG

Stacking

64x64x90 cm
m³ 0.37

40HC (Pcs):
108Pcs.

Assembled
Package



Conical Counter

Textile
1.15 mt

Real Leather
1.7 m²

Net Weight
8,80 KG

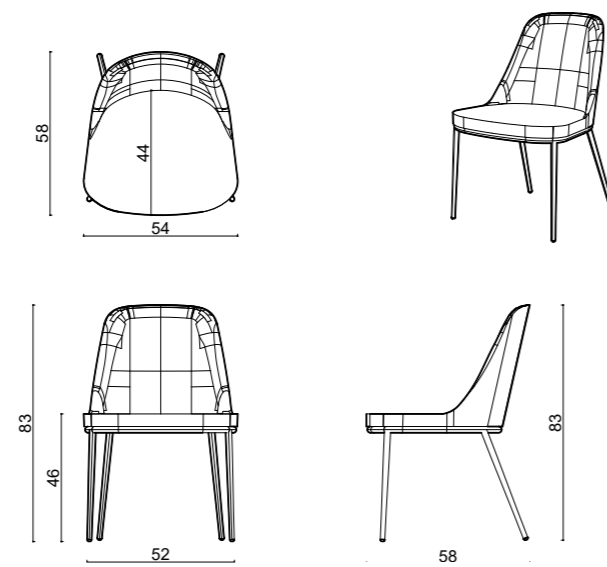
Gross Weight
11,80 KG

Stacking

62x67x115 cm
m³ 0.48

40HC (Pcs):
114Pcs.

Assembled
Package



Armless
Conical Leg

Textile
1.15 mt

Real Leather
1.7 m²

Net Weight
8,15 KG

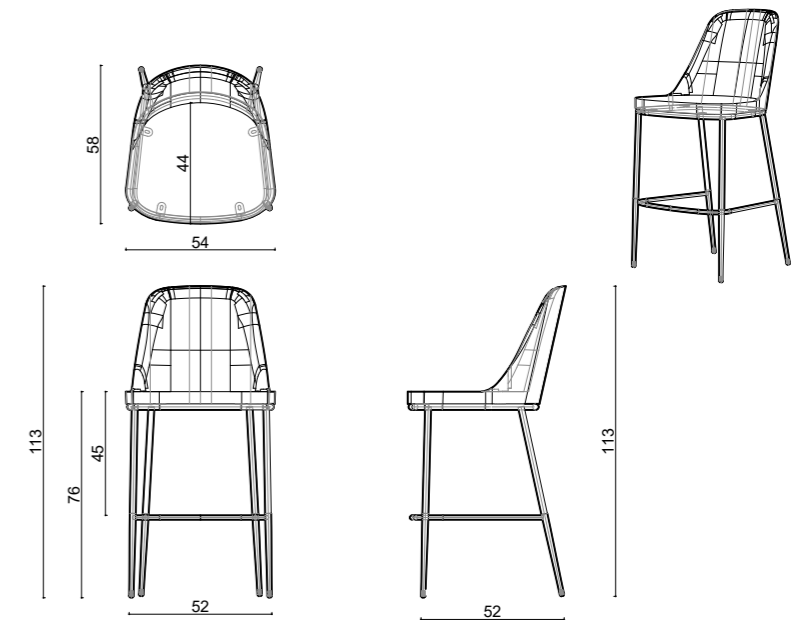
Gross Weight
10,90 KG

Stacking

64x64x90 cm
m³ 0.37

40HC (Pcs):
108Pcs.

Assembled
Package



Conical Bar

Textile
1.15 mt

Real Leather
1.7 m²

Net Weight
9,10 KG

Gross Weight
12,10 KG

Stacking

62x67x115 cm
m³ 0.48

40HC (Pcs):
114Pcs.

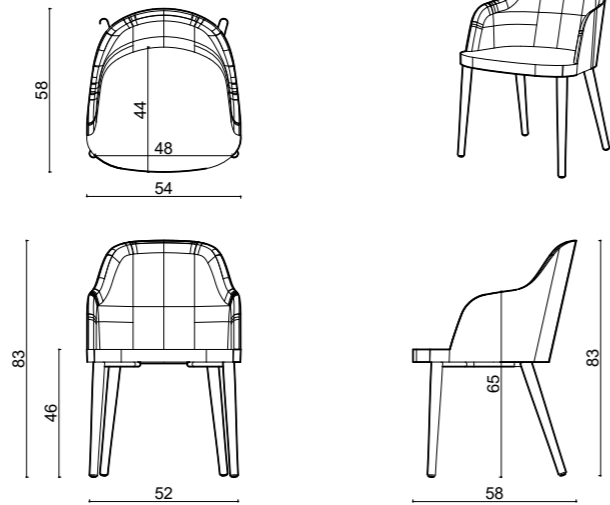
Assembled
Package

dimensions rhone



Technical info: WOOD LEG

Base: Solid beechwood Leg + Ø16 mm Pipe + Laser cut part
 Back: Metal Structure + Polyurethane
 Seat: Metal Structure + Polyurethane
 Upholstery: Fabric + Leather Fixed Cover



Wood Dowel Leg



Textile
1.3 mt



Real Leather
2.0 m²



9,40
KG



12,15
KG



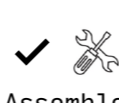
Stacking



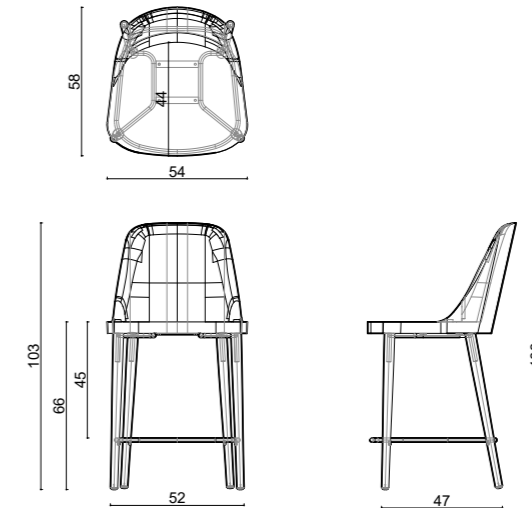
64x64x90 cm
m³ 0.37



40HC (Pcs):
108Pcs.



Assembled
Package



Wood Dowel Counter



Textile
1.15 mt



Real Leather
1.7 m²



9,00
KG



12,00
KG



Stacking



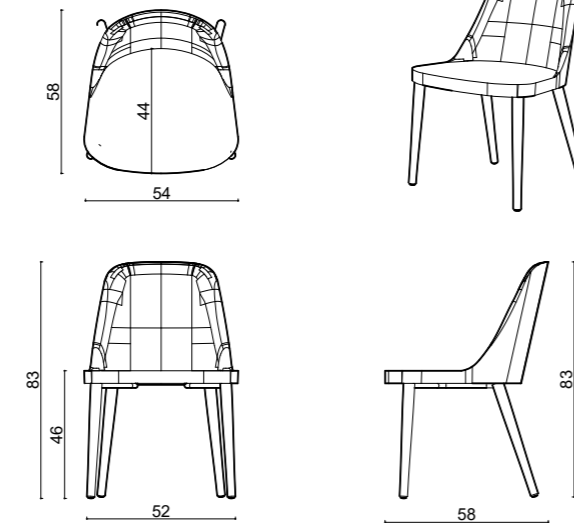
62x67x115 cm
m³ 0.48



40HC (Pcs):
114Pcs.



Assembled
Package



Armless
Wood Dowel Leg



Textile
1.15 mt



Real Leather
1.7 m²



8,20
KG



10,95
KG



Stacking



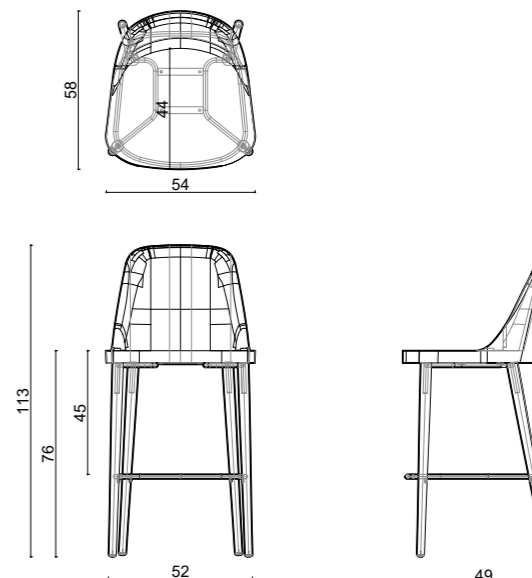
64x64x90 cm
m³ 0.37



40HC (Pcs):
108Pcs.



Assembled
Package



Wood Dowel Bar



Textile
1.15 mt



Real Leather
1.7 m²



9,30
KG



12,30
KG



Stacking



62x67x115 cm
m³ 0.48



40HC (Pcs):
114Pcs.



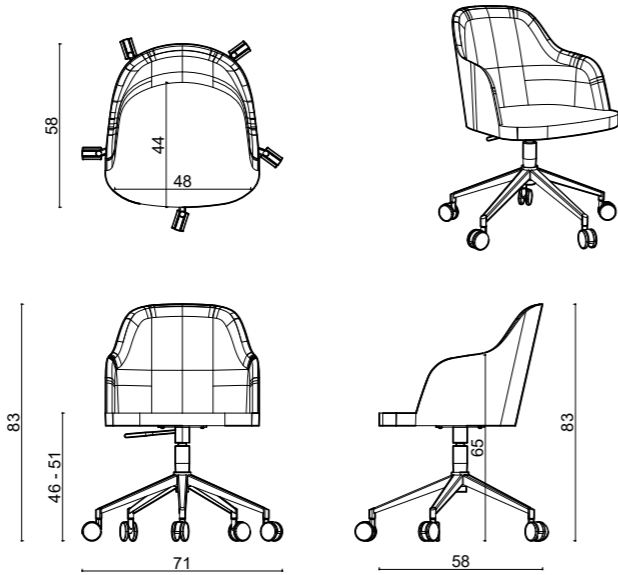
Assembled
Package

dimensions
rhone



Technical info: OFFICE LEG

Base: Laser cut part + Solid Metal
 Back: Metal Structure + Polyurethane
 Seat: Metal Structure + Polyurethane
 Upholstery: Fabric + Leather Fixed Cover



Office Leg



Textile
1.3 mt



Real Leather
2.0 m²



12,50
KG



15,25
KG



Stacking



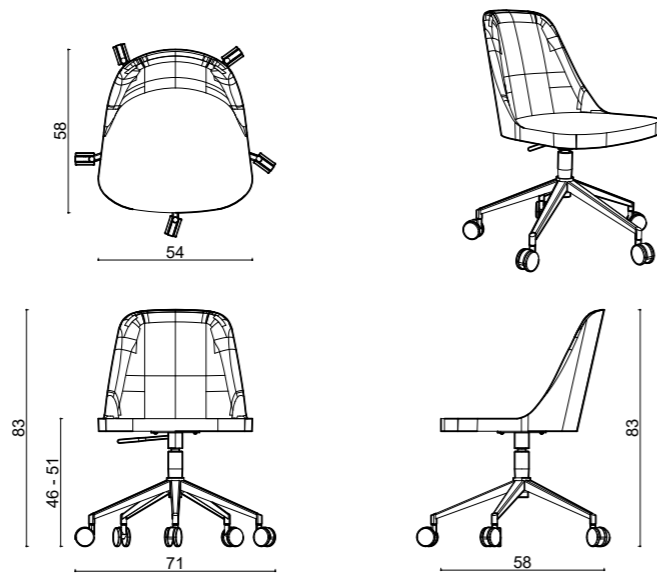
64x64x90 cm
m³ 0.37



40HC (Pcs):
108Pcs.



Assembled
Package



Armless Office Leg



Textile
1.15 mt



Real Leather
1.7 m²



11,30
KG



14,05
KG



Stacking



64x64x90 cm
m³ 0.37



40HC (Pcs):
108Pcs.



Assembled
Package

• ilex

www.ilex.com.tr

Factory

Eseşehir Mah. Muradiye Sok.
No: 38/1 Ümraniye, İstanbul
E-mail: info@metaliks.com.tr
Phone: +90 216 641 16 06

İstanbul Showroom

Yukarı Dudullu Mah. Çam Sok.
No: 8/12 Ümraniye, İstanbul
E-mail: info@metaliks.com.tr
Phone: +90 537 959 0404

Export

E-mail: export@metaliks.com.tr
Phone: +90 506 449 47 49